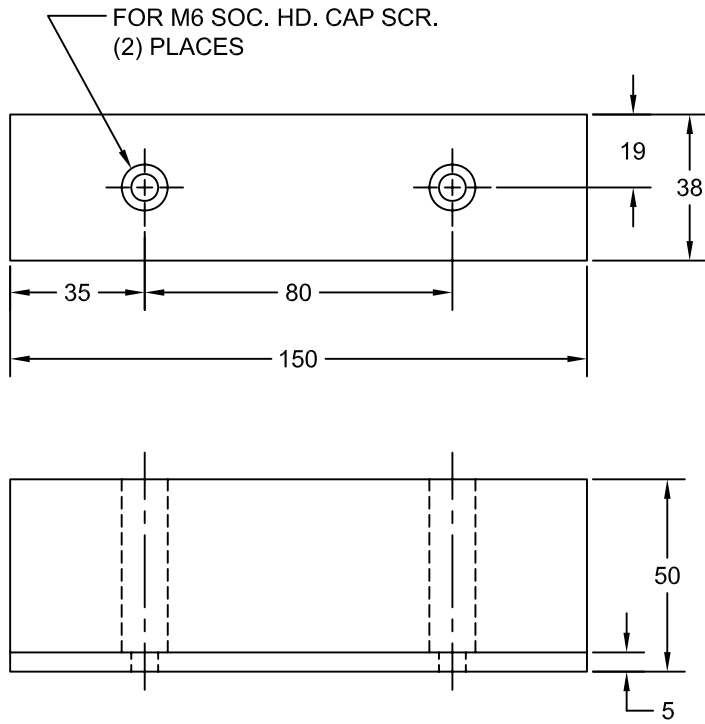


JOLICO J-B TOOL

PRINTED COPY IS
UNCONTROLLED

BINDER CONTROL URETHANE



JOLICO NUMBER	GMGDS CODE NUMBER
J-225720	90.50.21