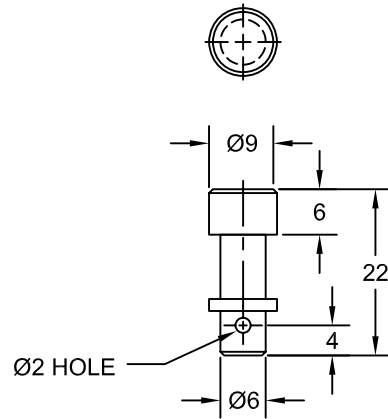


# JOLICO J-B TOOL

PRINTED COPY IS  
UNCONTROLLED

## TRIM DIE RAMP PIN



### RAMP PIN ASSEMBLY INCLUDES

- (1) RAMP PIN
- (1) WASHER M6  
Ø6.3 I.D. X Ø9.0 O.D.
- (1) COTTER PIN Ø2 X 10

JOLICO NUMBER	GMGDS CODE NUMBER
J - 886398	90.55.20