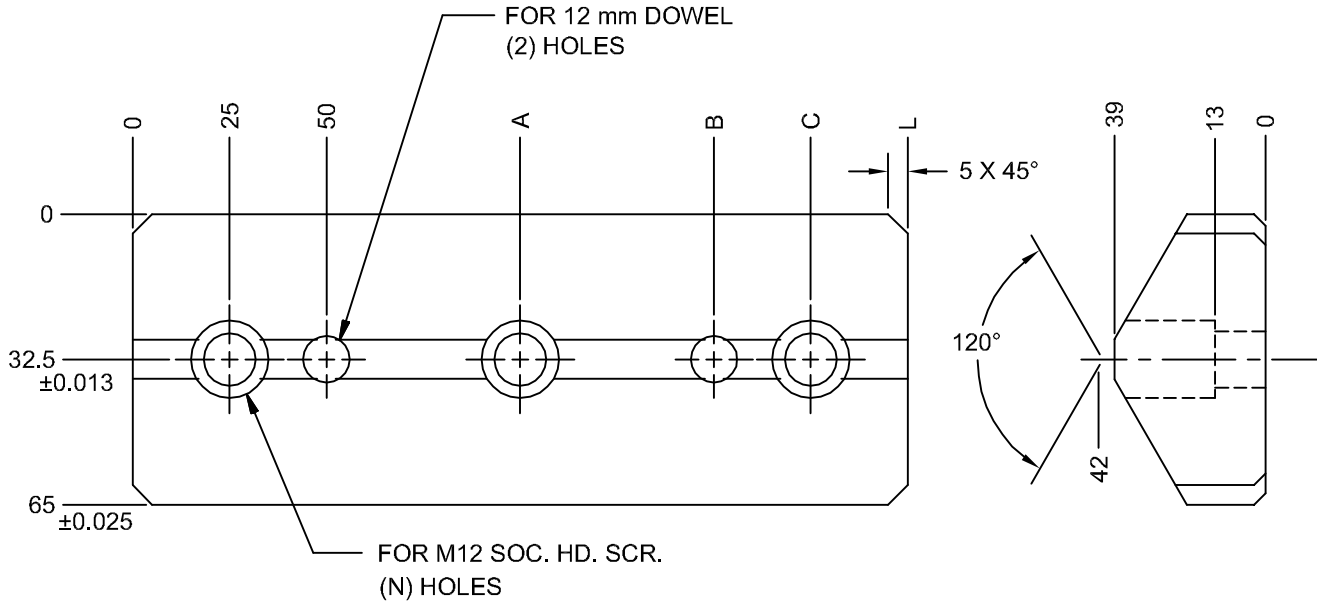


JOLICO J-B TOOL

PRINTED COPY IS UNCONTROLLED

65 mm "V" BLOCK ALUMINUM BRONZE BLOCK WITH RAPHITE PLUGS



JOLICO NUMBER	GMGDS CODE NUMBER	L -0.1 -0.3	A ±0.2	B ±0.2	C ±0.2	N
J-223388	90.75.01-150	150	---	100	125	2
J-223389	90.75.01-200	200	---	150	175	2
J-223390	90.75.01-250	250	125	200	225	3

TOLERANCE BETWEEN DOWEL HOLES ±0.01
TOLERANCE BETWEEN SCREW HOLES ±0.12

