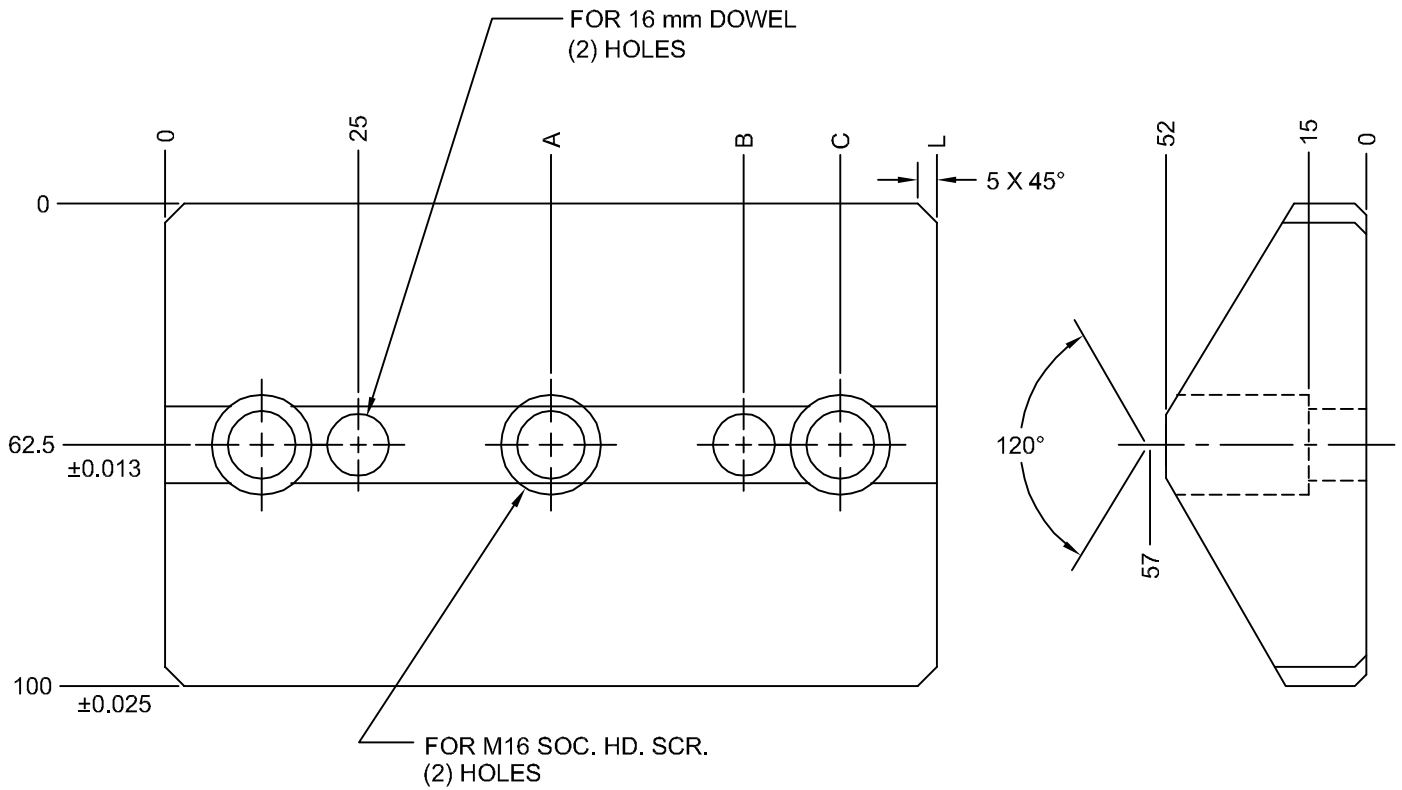


JOLICO J-B TOOL

PRINTED COPY IS UNCONTROLLED

125 mm "V" BLOCK ALUMINUM BRONZE BLOCK WITH GRAPHITE PLUGS



JOLICO NUMBER	GMGDS CODE NUMBER	L -0.1 -0.3	A ±0.2	B ±0.2	C ±0.2	N
J-223370-YGM	90.75.03-150	150	---	100	125	2
J-223371-YGM	90.75.03-200	200	---	150	175	2
J-223376-YGM	90.75.03-250	250	125	200	225	3
J-223377-YGM	90.75.03-300	300	150	250	275	3

TOLERANCE BETWEEN DOWEL HOLES ±0.01

TOLERANCE BETWEEN SCREW HOLES ±0.12

