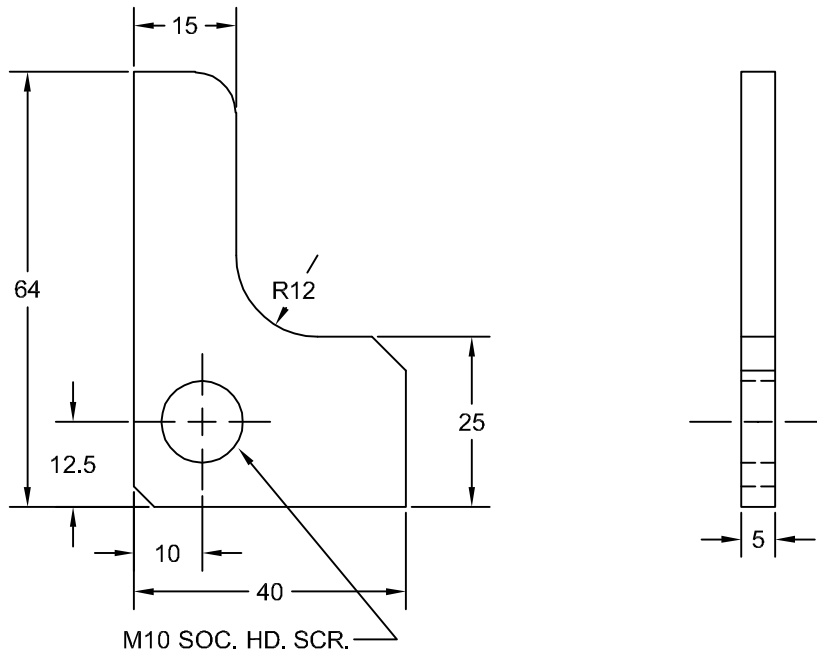
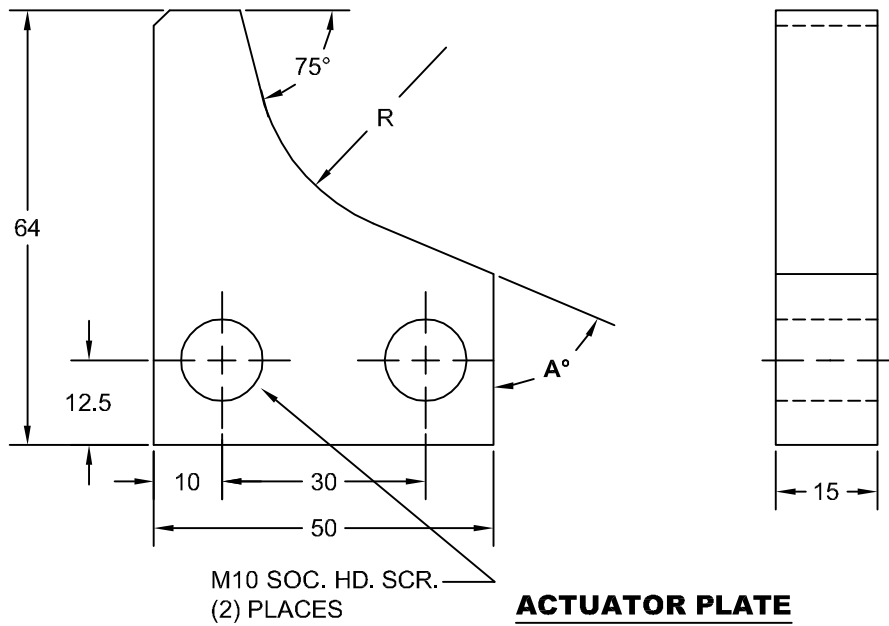


ACTUATOR PLATE SET



SET UP TOOL



ACTUATOR PLATE

JOLICO NUMBER	GMGDS CODE NUMBER	A DEG.	R
J-442270	M - 1556 - 0	87°	20
J-442271	M - 1556 - 5	82°	20
J-442272	M - 1556 - 10	77°	20
J-442273	M - 1556 - 15	72°	20
J-442274	M - 1556 - 20	67°	28
J-442275	M - 1556 - 25	62°	28
J-442276	M - 1556 - 30	57°	28
J-442277	M - 1556 - 35	52°	28
J-442278	M - 1556 - 40	47°	28
J-442279	M - 1556 - 3U	90°	20
J-442280	M - 1556 - 6U	93°	20

TOLERANCE BETWEEN SCREW HOLES ± 0.25