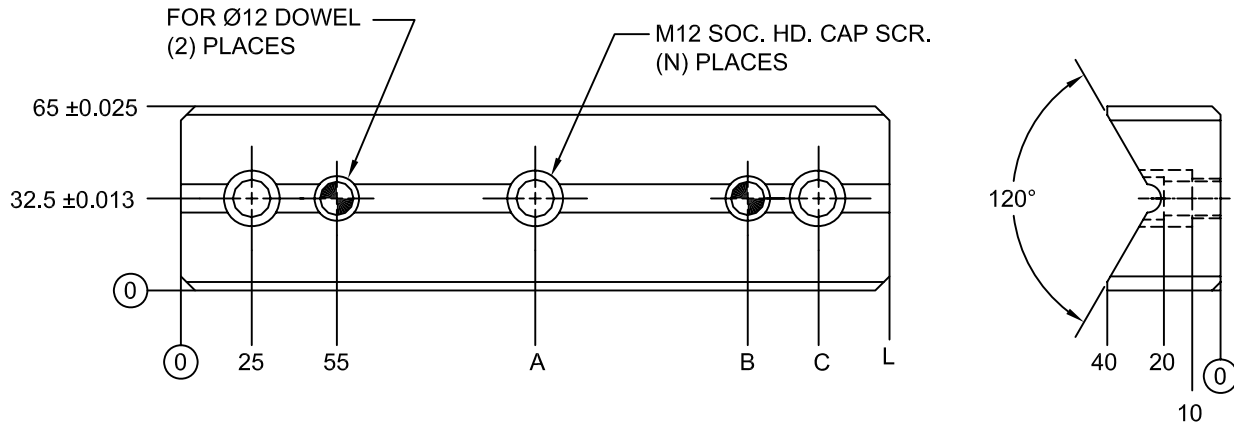


JOLICO J-B TOOL

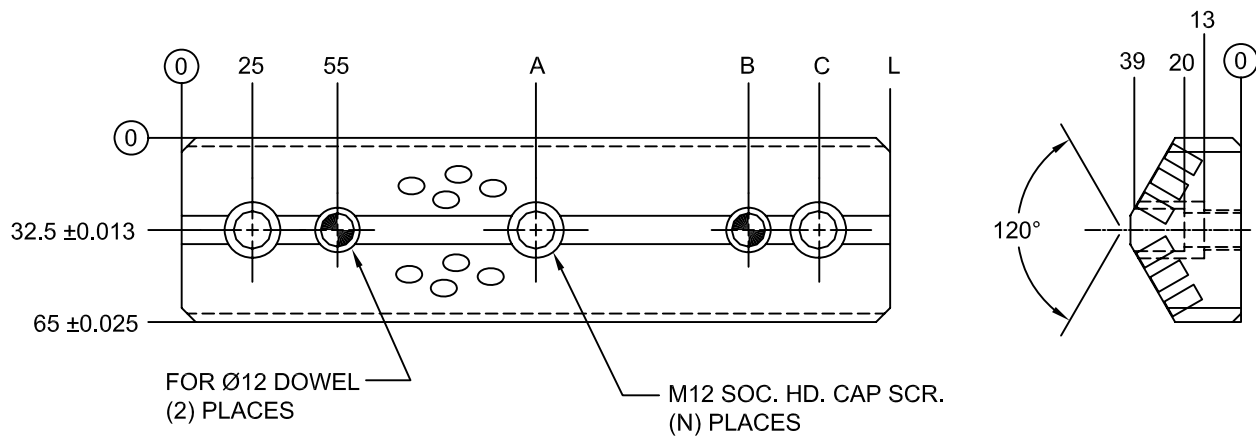
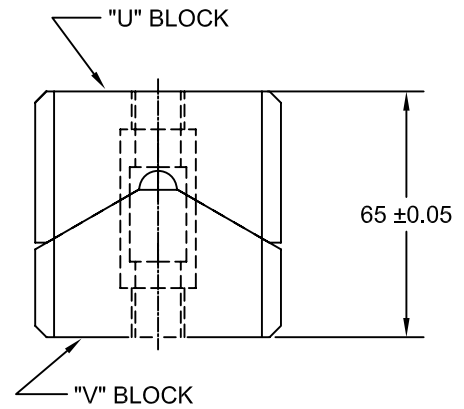
PRINTED COPY IS UNCONTROLLED

"U" AND "V" BLOCKS 65 mm WIDE



STEEL "U" BLOCK

JOLICO NUMBER	GMGDS CODE NUMBER	L - 0.1 - 0.3	A ± 0.2	B ± 0.02	C ± 0.2	N SCREW HOLES
J - 223350	90.75.31 - 150	150	--	100	125	2
J - 223351	90.75.31 - 200	200	--	150	175	2
J - 223352	90.75.31 - 250	250	125	200	225	3



BRONZE "V" BLOCK

JOLICO NUMBER	GMGDS CODE NUMBER	L - 0.1 - 0.3	A ± 0.2	B ± 0.02	C ± 0.2	N SCREW HOLES
J - 223355	90.75.30 - 150	150	--	100	125	2
J - 223356	90.75.30 - 200	200	--	150	175	2
J - 223357	90.75.30 - 250	250	125	200	225	3