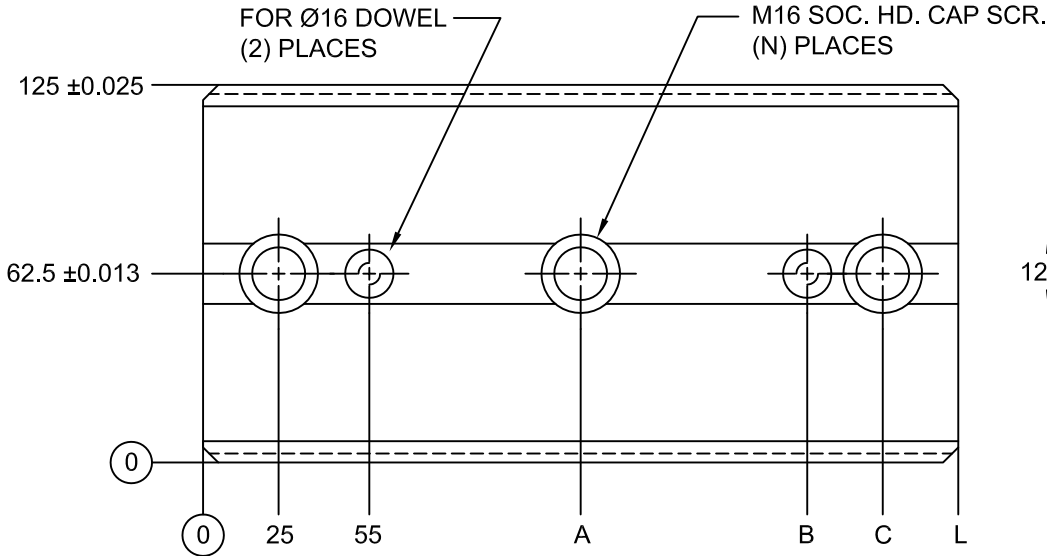
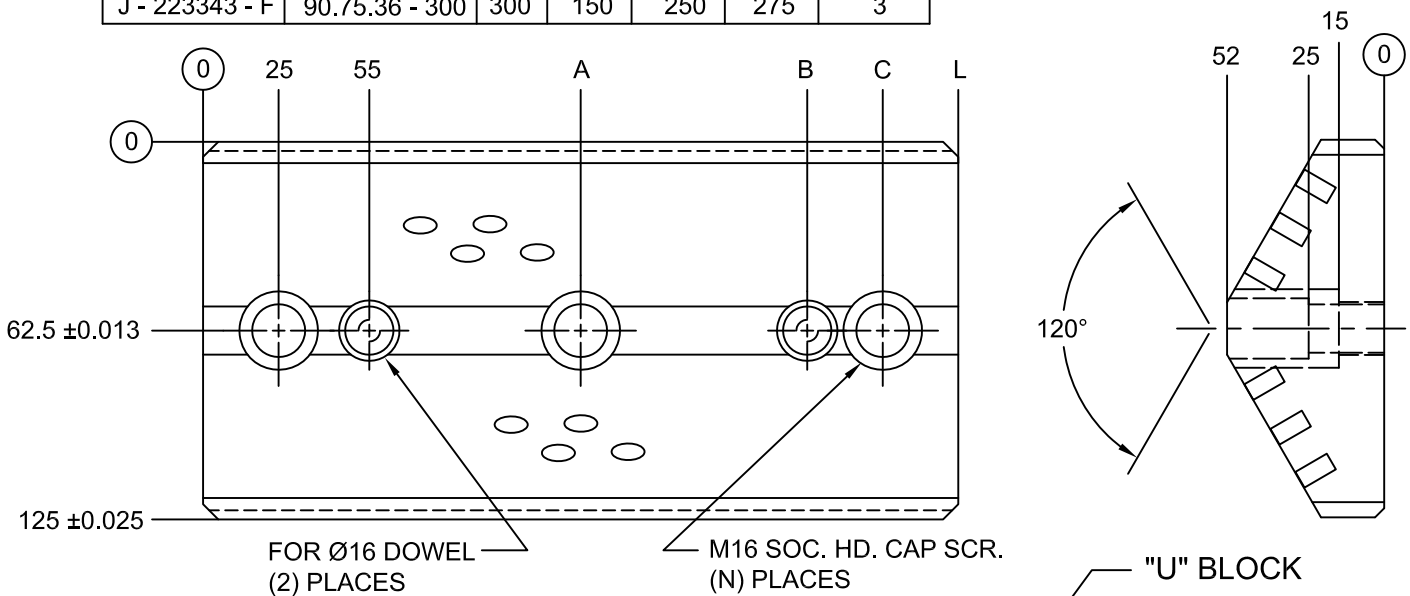


"U" AND "V" BLOCKS 125 mm WIDE



STEEL "U" BLOCK

JOLICO NUMBER	GMGDS CODE NUMBER	L - 0.1 - 0.3	A ± 0.2	B ± 0.02	C ± 0.2	N SCREW HOLES
J - 223340 - F	90.75.36 - 150	150	--	100	125	2
J - 223341 - F	90.75.36 - 200	200	--	150	175	2
J - 223342 - F	90.75.36 - 250	250	125	200	225	3
J - 223343 - F	90.75.36 - 300	300	150	250	275	3



BRONZE "V" BLOCK

JOLICO NUMBER	GMGDS CODE NUMBER	L - 0.1 - 0.3	A ± 0.2	B ± 0.02	C ± 0.2	N SCREW HOLES
J - 223340 - YGM	90.75.35 - 150	150	--	100	125	2
J - 223341 - YGM	90.75.35 - 200	200	--	150	175	2
J - 223342 - YGM	90.75.35 - 250	250	125	200	225	3
J - 223343 - YGM	90.75.35 - 300	300	150	250	275	3

