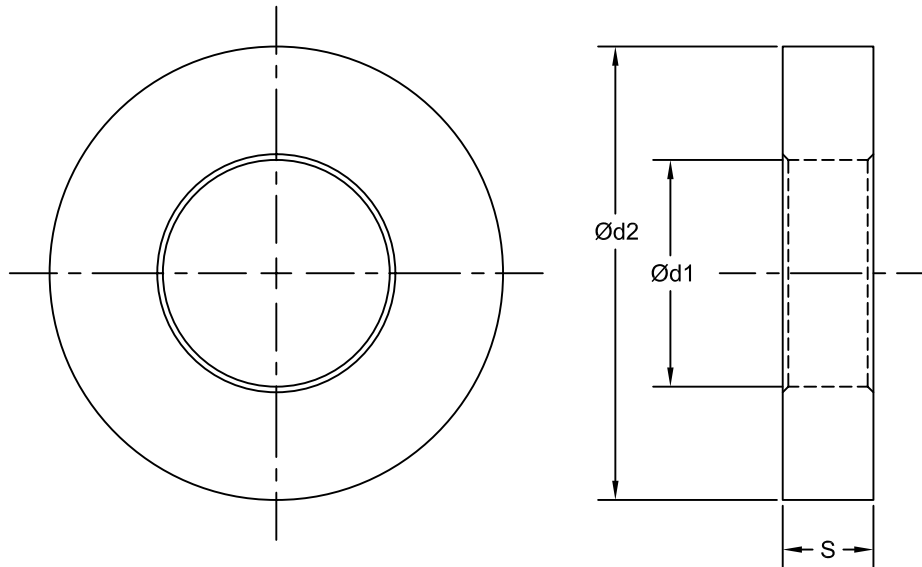


# JOLICO J-B TOOL

PRINTED COPY IS  
UNCONTROLLED

## WASHER FOR PAD RETAINER SCREW



JOLICO NUMBER	GMGDS CODE NUMBER	Ød1 H13	Ød2	S ±0.2
J-220175	90.30.80 - A	6	16	3.5
J-220176	90.30.80 - B	12	24.5	5
J-220177	90.30.80 - C	16	32	6.5
J-220178	90.30.80 - D	20	40	8
J-220179	90.30.80 - E	24	50	10
J-220180	90.30.80 - F	30	60	12