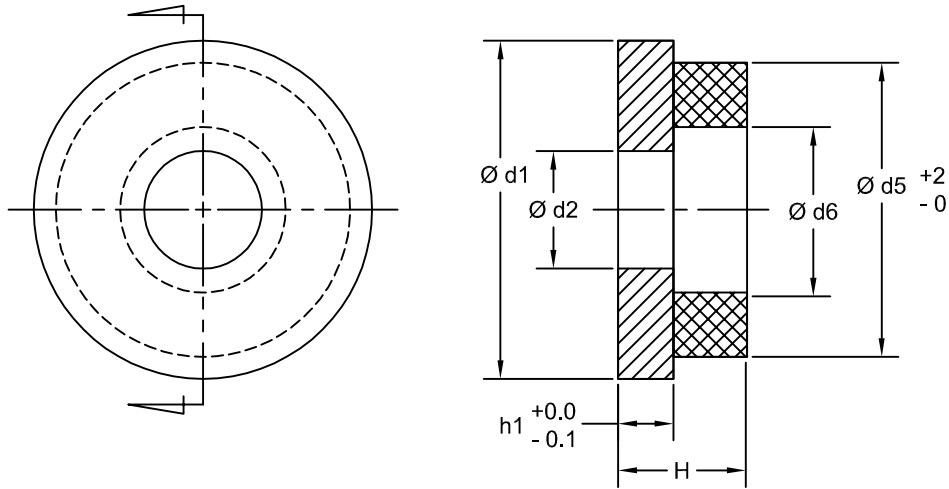


JOLICO J-B TOOL

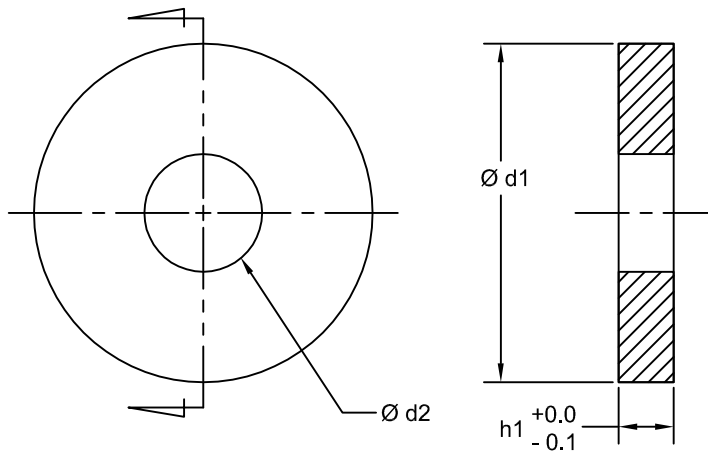
PRINTED COPY IS UNCONTROLLED

RUBBER DAMPENER SHORT AND WASHER FOR PAD RETAINING SCREW



RUBBER DAMPENER (SHORT)

JOLICO NUMBER	GMGDS CODE NUMBER	SCREW SIZE	Ød1	Ød2	Ød5	Ød6	h1	H	MAX. FORCE
J - 225613 - A	90.30.502 - 16	M16	58	17	48	28	10	20	1.28 t
J - 225614 - A	90.30.502 - 20	M20	68	22	58	33	12	24	2.20 t
J - 225615 - A	90.30.502 - 24	M24	80	26	68	39	12	27	3.00 t
J - 225616 - A	90.30.502 - 30	M30	92	32	80	45	15	35	4.60 t



WASHER FOR BINDER RETAINER

JOLICO NUMBER	GMGDS CODE NUMBER	SCREW SIZE	Ød1	Ød2	h1
J - 225613	90.30.60 - 16	M16	58	17	10
J - 225614	90.30.60 - 20	M20	68	22	12
J - 225615	90.30.60 - 24	M24	80	26	12
J - 225616	90.30.60 - 30	M30	92	32	15