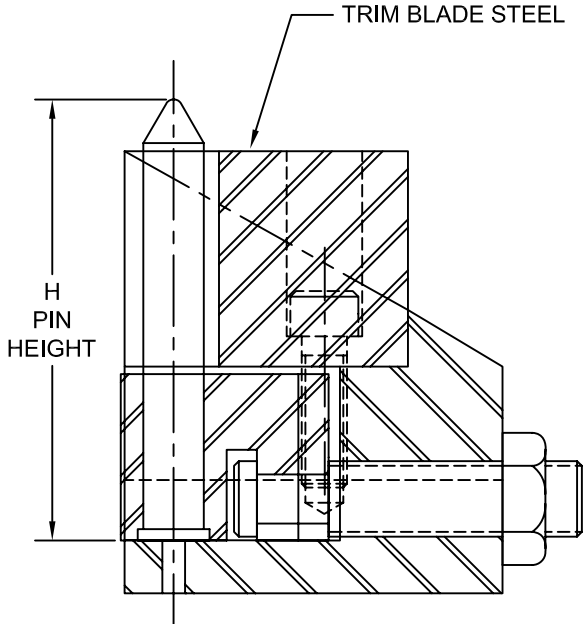
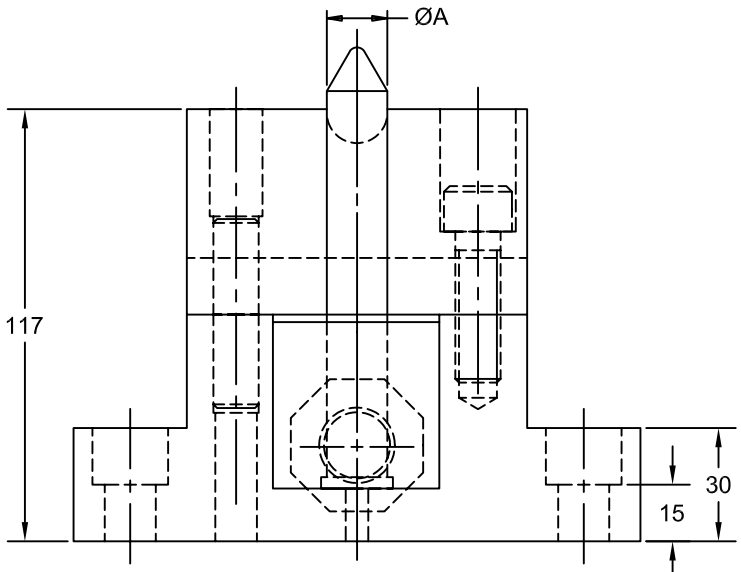
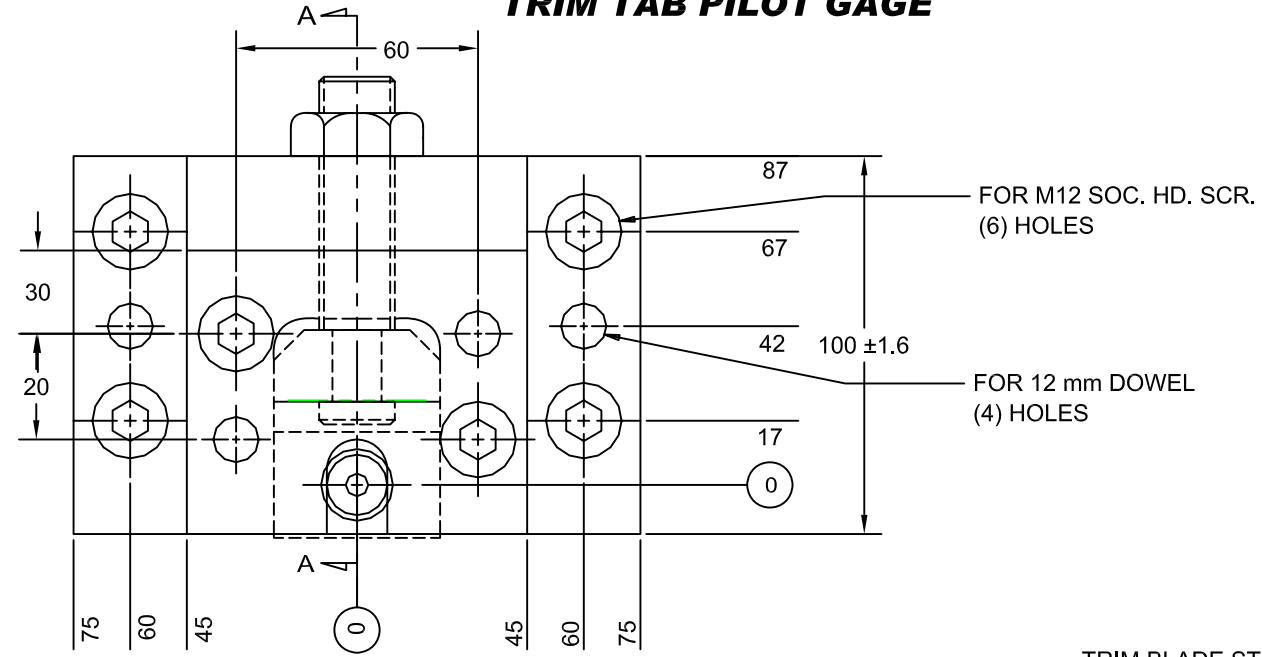


JOLICO J-B TOOL

PRINTED COPY IS UNCONTROLLED

TRIM TAB PILOT GAGE



SECTION A-A

JOLICO NUMBER	GMGDS CODE NUMBER	"H" PIN HEIGHT	ØA PIN	TRIM BLADE
J - 444101	90.65.19-150-A	136	12.75	YES
J - 444102	90.65.19-300-B	286	12.75	YES
J - 444103	90.65.19-150-C	136	12.75	NO
J - 444104	90.65.19-300-D	286	12.75	NO
J - 444105	90.65.19-150-E	NO PIN	12.75	YES
J - 444106	90.65.19-300-F	NO PIN	----	NO
J - 444107	90.65.19-150-G	136	15.75	YES
J - 444108	90.65.19-300-H	286	15.75	YES

JOLICO NUMBER	GMGDS CODE NUMBER	"H" PIN HEIGHT	ØA PIN	TRIM BLADE
J - 444109	90.65.19-150-J	136	15.75	NO
J - 444110	90.65.19-150-K	NO PIN	15.75	YES
J - 444111	90.65.19-300-L	286	15.75	NO
J - 444112	90.65.19-150-M	136	19.75	YES
J - 444113	90.65.19-300-N	286	19.75	YES
J - 444114	90.65.19-150-O	136	19.75	NO
J - 444115	90.65.19-300-P	286	19.75	NO
J - 444116	90.65.19-150-R	NO PIN	19.75	YES