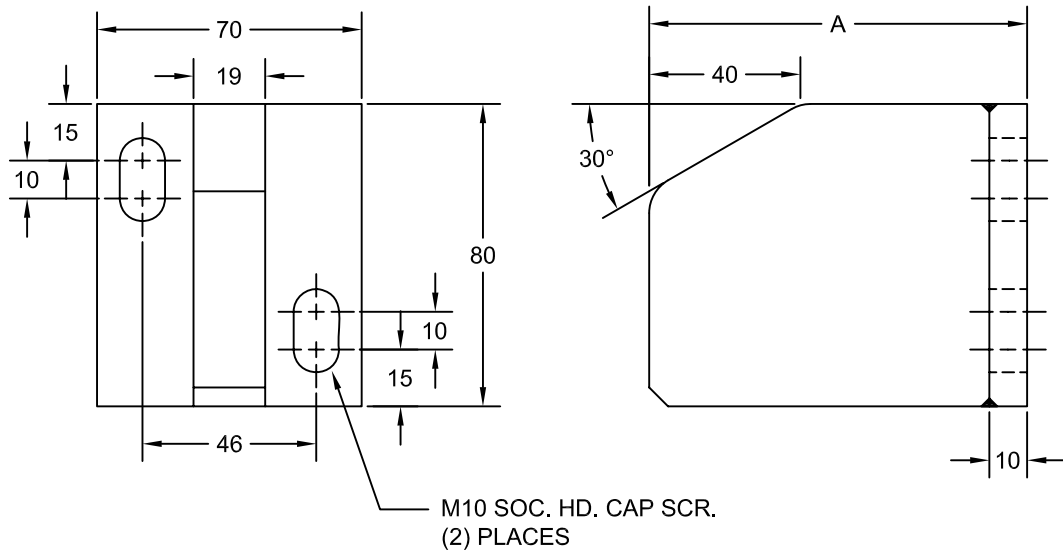


# JOLICO J-B TOOL

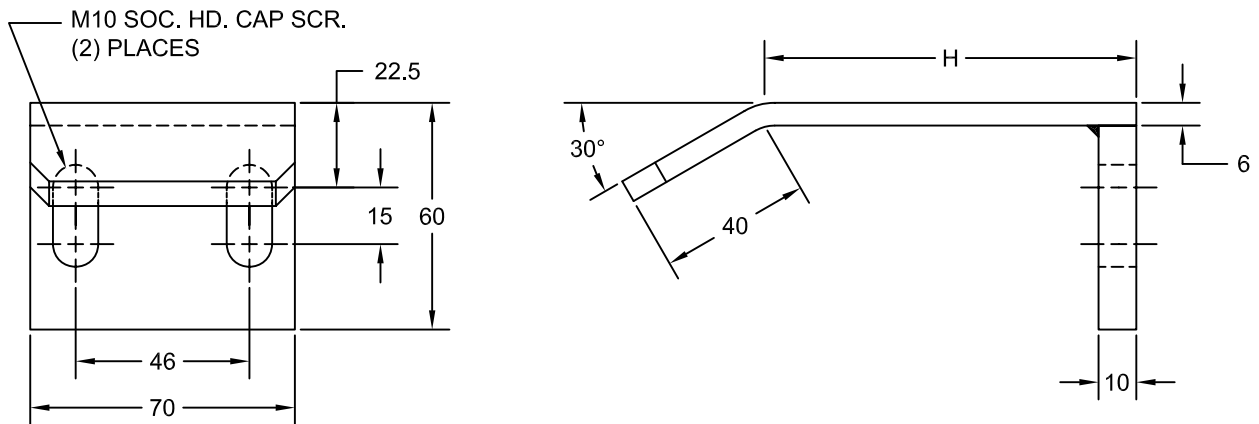
PRINTED COPY IS UNCONTROLLED

## DRAW DIE REAR GAGE TYPE "A" & "B"



### REAR GAGE TYPE "A"

| JOLICO NUMBER | GMGDS CODE NUMBER | "A" DIM. |
|---------------|-------------------|----------|
| J - 441216    | 90.50.171 - 100   | 100      |
| J - 441217    | 90.50.171 - 150   | 150      |
| J - 441218    | 90.50.171 - 200   | 200      |
| J - 441219    | 90.50.171 - 250   | 250      |
| J - 441220    | 90.50.171 - 300   | 300      |
| J - 441221    | 90.50.171 - 350   | 350      |



### REAR GAGE TYPE "B"

| JOLICO NUMBER | GMGDS CODE NUMBER | "A" DIM. |
|---------------|-------------------|----------|
| J - 441222    | 90.50.176 - 100   | 100      |
| J - 441223    | 90.50.176 - 150   | 150      |
| J - 441224    | 90.50.176 - 200   | 200      |
| J - 441225    | 90.50.176 - 250   | 250      |
| J - 441226    | 90.50.176 - 300   | 300      |
| J - 441227    | 90.50.176 - 350   | 350      |