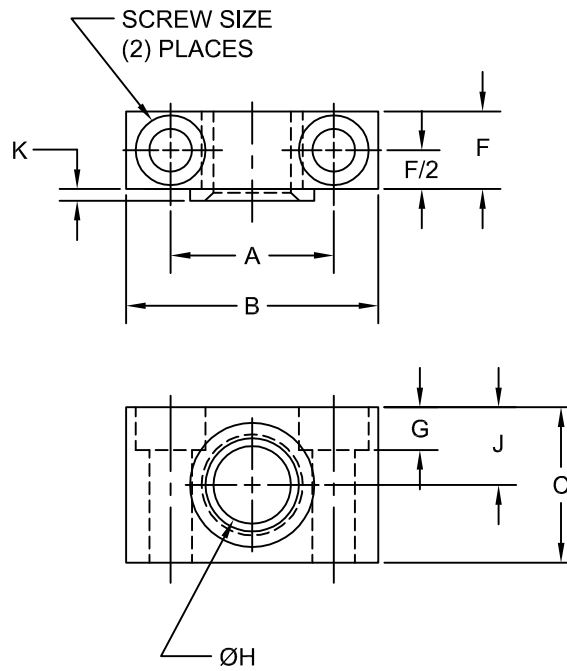


TRUNNION PILLOW BLOCK



JOLICO NUMBER	GMGDS CODE NUMBER	CYL. BORE	A		B	C	F	G	ØH H9	J		K	SCREW SIZE
			NOM.	TOL.						NOM.	TOL.		
J-998817	90.40.215-32	32	32	±0.2	46	30	15	8	12	15	±0.1	3.0	M6
J-998818	90.40.215-40	40, 50	36		55	36	18	9	16	18		3.0	M8
J-998819	90.40.215-63	63, 80	42		65	40	20	11	20	20		3.0	M10
J-998815	90.40.215-100	100, 125	50		75	50	25	13	25	25		3.5	M12
J-998816	90.40.215-160	160, 200	60	±0.3	92	60	36	17	32	30	±0.2	4.0	M16