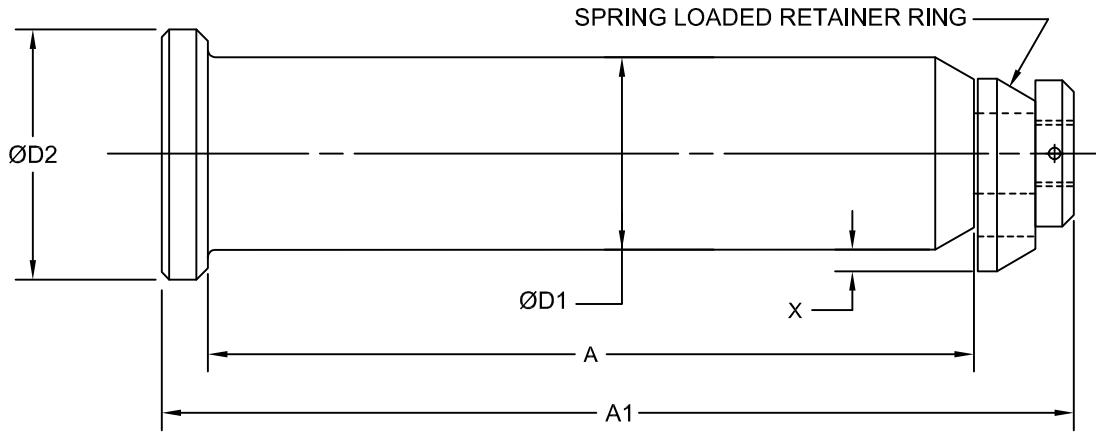


JOLICO J-B TOOL

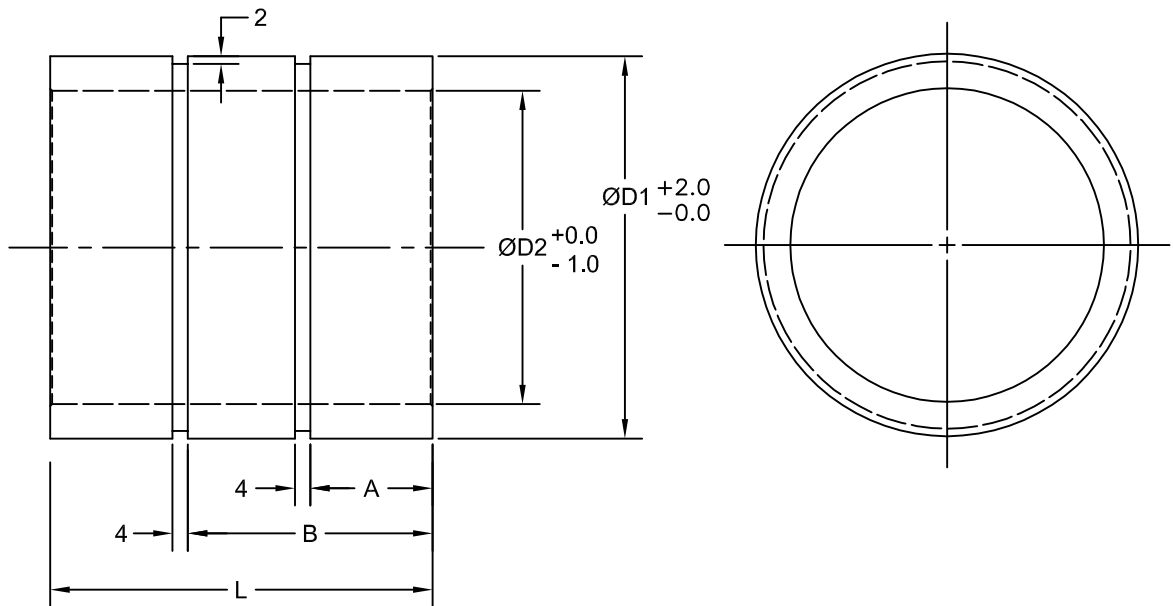
PRINTED COPY IS UNCONTROLLED

REMOVABLE LIFT PIN AND CASTING LINER



REMOVABLE LIFT PIN WITH SPRING LOADED RETAINER RING

JOLICO NUMBER	GMGDS CODE NUMBER	$\text{ØD}^{+0.0}_{-0.2}$	ØD2	$A1^{+1}_{-0}$	A^{+1}_{-0}	X
J-881418	90.15.00-32A	32	40	177	155	4.0
J-881426	90.15.00-40B	40	50	220	188	5.5
J-881427	90.15.00-50	50	60	270	230	5.5
J-881428	90.15.00-63	63	75	342	295	6.3
J-881429	90.15.00-80	80	89	387	335	6.3



LIFT PIN CASTING LINER

JOLICO NUMBER	GMGDS CODE NUMBER	ØD1	ØD2	L	A	B
J-881490	90.15.25-32	44	34	40	18	
J-881491	90.15.25-40	52	42	50	23	
J-881492	90.15.25-50	62	52	60	28	
J-881503	90.15.25-63A	75	65	80	38	
J-881493	90.15.25-63B	75	65	75	35	
J-881494	90.15.25-80A	100	82	100	32	64
J-881495	90.15.25-80B	100	82	95	32	64