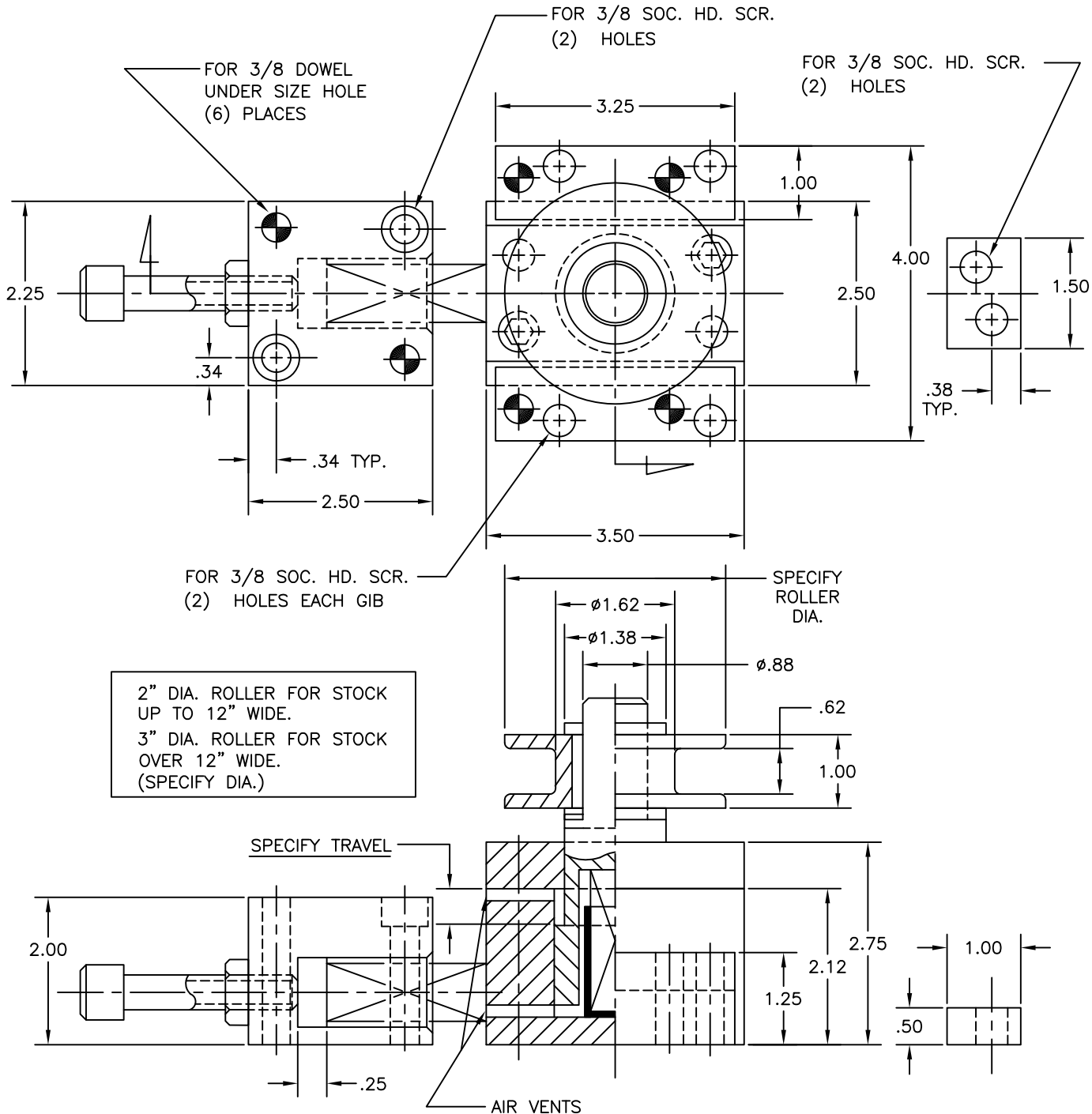


PRINTED COPY IS UNCONTROLLED

ROLLER STOCK GUIDE

THIS ITEM COMPENSATES FOR VARYING STOCK WIDTH, AS WELL AS FOLLOWING THE UP AND DOWN MOVEMENT OF THE STOCK IN A COMPOUND BLANK AND PIERCE DIE.



NOTE
SPRINGS AND SPRING CAGE NOT FURNISHED WITH ASSEMBLY.

JOLICO NO.	REF. NO.
J-86723	TYPE "D"