

RETAINER PIN

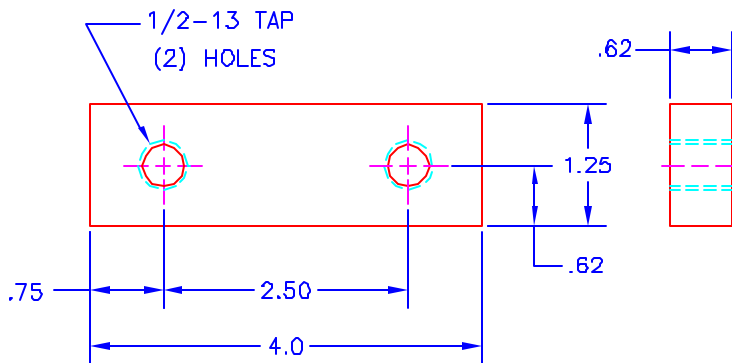
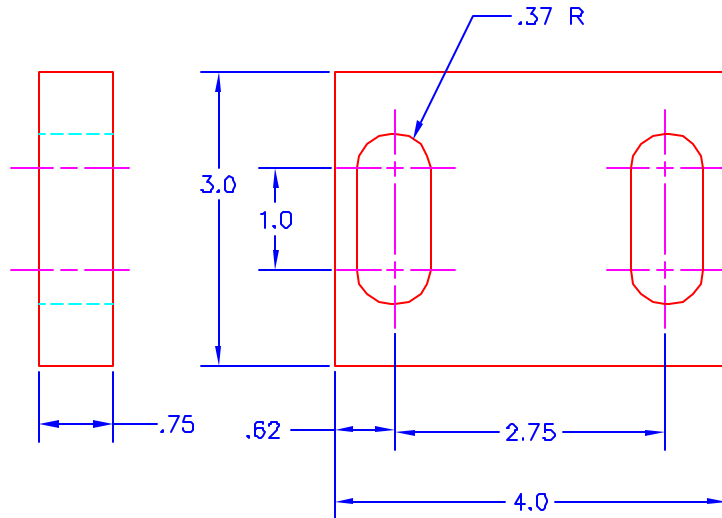
THIS PIN USED ON DRAW DIES THAT HAVE A 10° OR GREATER BINDER SURFACE. ON THESE TYPES OF SURFACES A SPRING LOADED PIN IS USED TO STRIP THE PART FROM THE BLANKHOLDER AND THIS RETAINER PIN IS USED WITH THESE STRIPPERS.

| JOLICO NO. | REF. NO. |
|------------|------------|
| J-61901 | DX1-6-1201 |

SOLID FRONT AND WIPER GAGE BASE

THIS BASE PLATE IS USED ON DRAW DIES. UPON THIS BASE PLATE IS WELDED A WIPER TYPE GAGE BLOCK.

| JOLICO NO. | REF. NO. |
|------------|------------|
| J-41631 | DX1-6-1301 |



SIDE GUIDE BLANK STOP
THIS DETAIL IS USED AS A SPACER

| JOLICO NO. | REF. NO. |
|------------|------------|
| J-28261 | DX1-6-1401 |