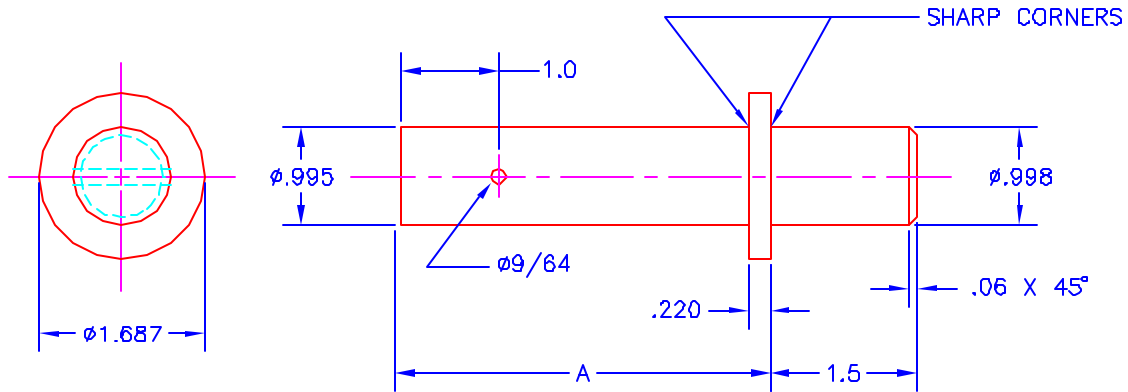
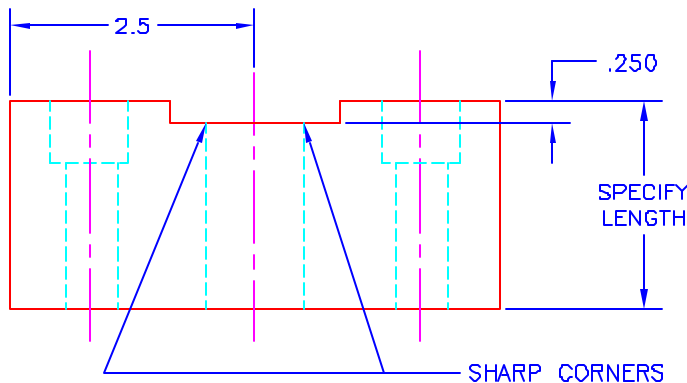
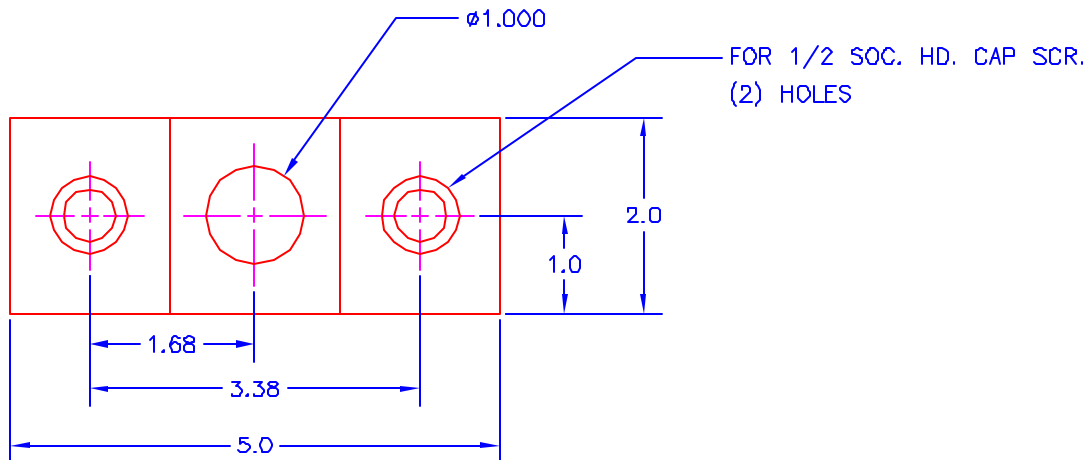


DIE STORAGE PIN

THIS PIN WHEN USED WITH IT'S COUNTERPART DETAIL BELOW SERVES AS A COMBINATION STOP BLOCK AND DIE STORAGE BLOCK. THE LIP ON THE STORAGE PIN IS DESIGNED SO THAT IF PLACE UNDER SEVERE STRESS, IT WILL SHEAR OFF.



JOLICO NO.	REF. NO.	"A"
J-28834	DS-3 (PIN)	TO SUIT
J-28840	BUDD	1.25



DIE STORAGE BLOCK

THIS DETAIL WORKS IN CONJUNCTION WITH THE DETAIL ABOVE.

JOLICO NO.	REF. NO.
J-28833	DS-3 (BLOCK)