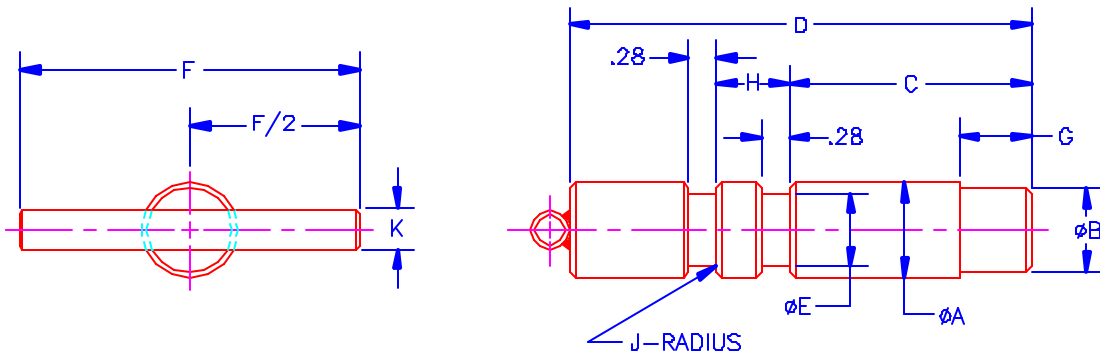


# PAD RETAINER PINS

PRINTED COPY IS UNCONTROLLED

THESE ITEMS ARE USED IN PLACE OF KEEPER BLOCKS TO RETAINER PAD.  
THEY ALSO PERMIT A PAD TO BE LOCKED IN THE UP POSITION.



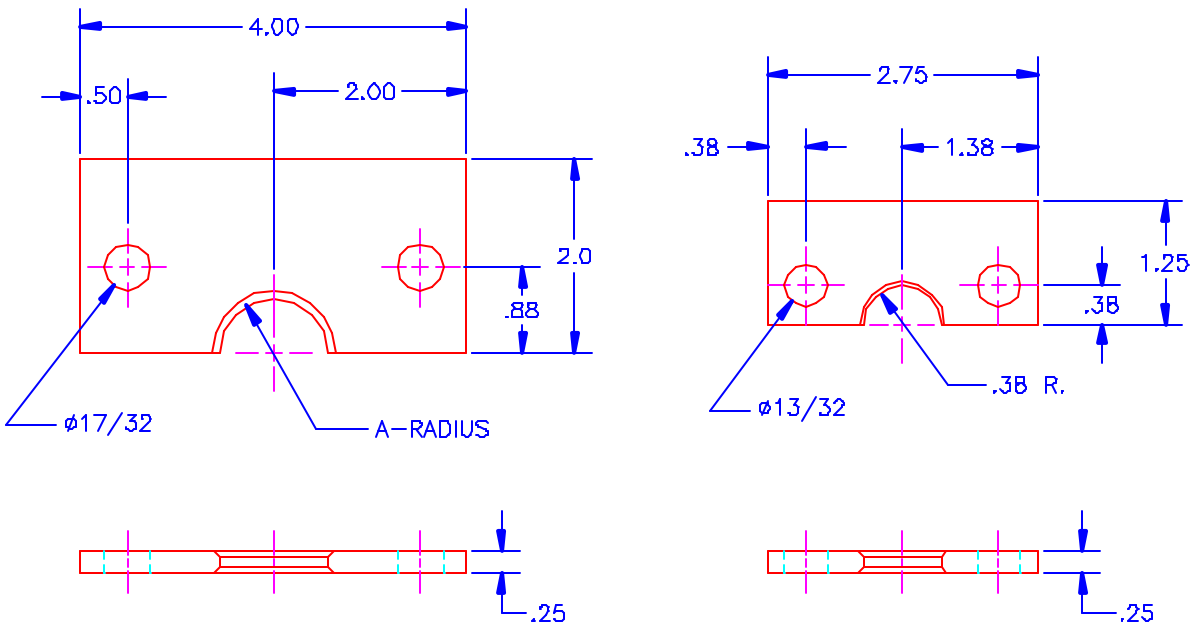
NOTE:

WILL QUOTE AND MANUFACTURE ANY SPECIALS UPON CUSTOMER'S REQUEST.

JOLICO NO.	REF. NO.	PAD SIZE	A	B	C	D	E	F	G	H	J	K
J-61904	DB3-0104	SMALL	1.00	.88	2.50	4.75	.75	3.50	.75	.75	.08	.38
J-61905	DB3-0105	MEDIUM	1.50	1.38	4.44	7.00	1.00	4.00	1.00	1.00	.12	.50
J-61906	DB3-0106	LARGE	2.25	2.12	4.94	7.50	1.75	4.75	1.00	1.00	.12	.50

# PAD RETAINER PLATES

THESE DETAILS ARE USED TO RETAIN THE PINS ABOVE.



JOLICO NO.	REF. NO.	PIN SIZE	A
J-61908	DB3-0108	1.50 DIA.	.56
J-61909	DB3-0109	2.25 DIA.	.94

JOLICO NO.	REF. NO.	PIN SIZE
J-61910	DB3-0110	1.00 DIA.