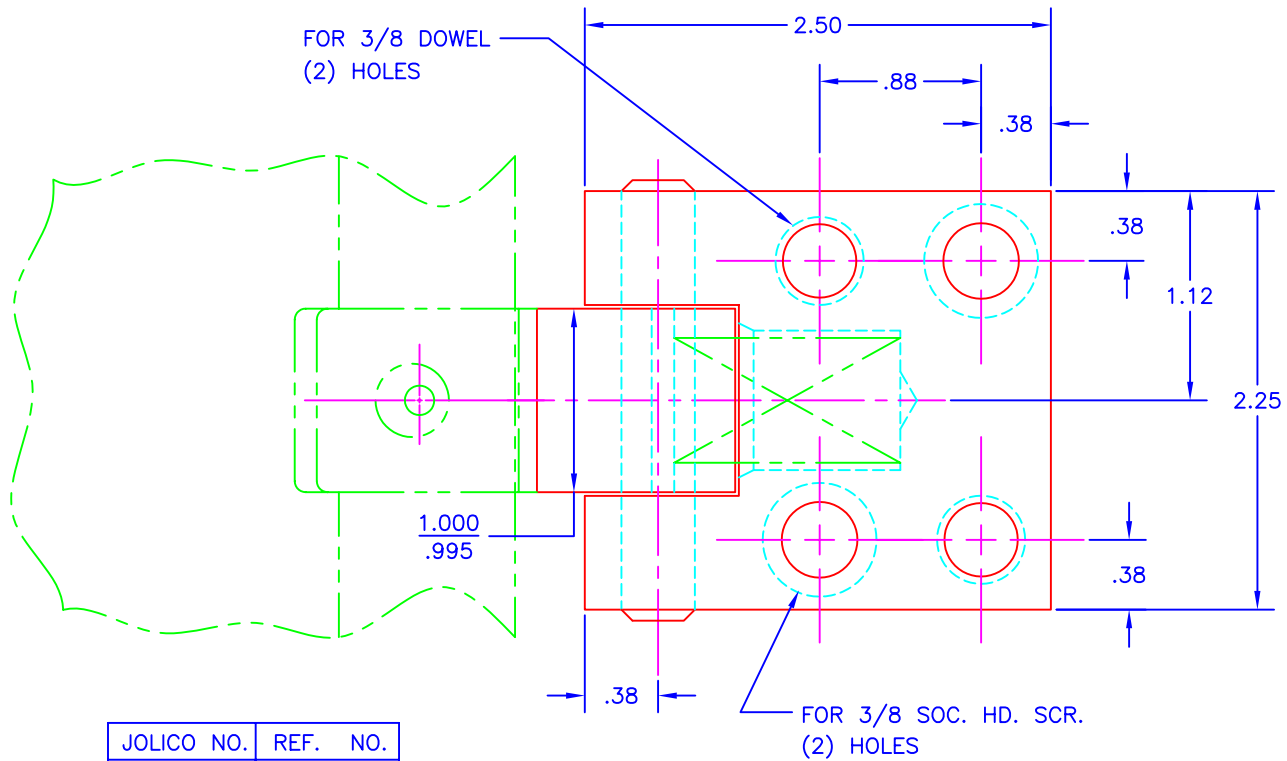


PRINTED COPY IS UNCONTROLLED

# VERTICAL PUSHER GAGE

THIS GAGE ACTS LIKE A STOCK COMPENSATOR.  
IT IS USED MAINLY ON PROGRESSIVE DIES.



JOLICO NO.	REF. NO.
J-41101	DH1-0101

