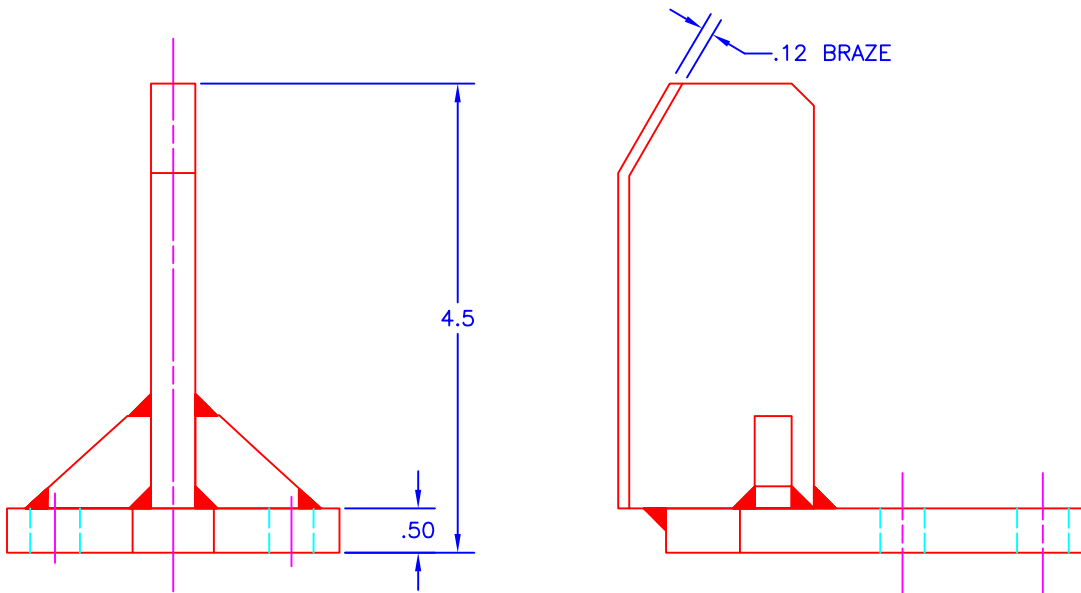
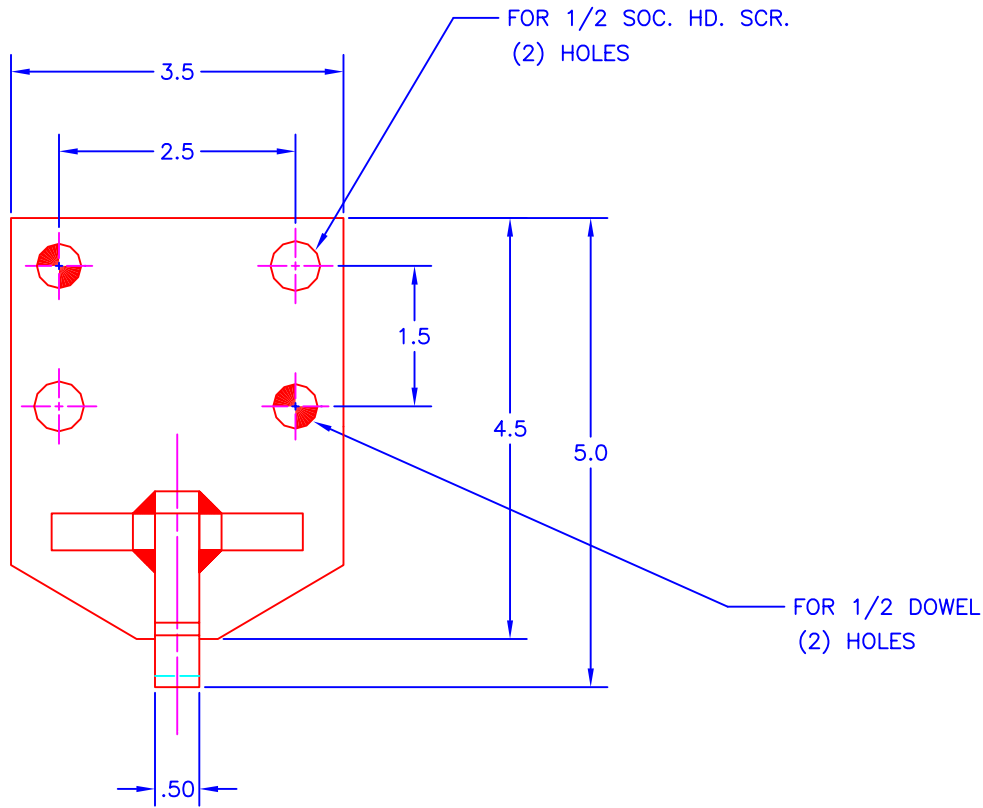


SOLID GAGE

PRINTED COPY IS
UNCONTROLLED

THIS GAGE IS USED ON 45° HEM AND FLATTEN DIES.



JOLICO NO.	REF. NO.
J-41161	DX16-4-0401