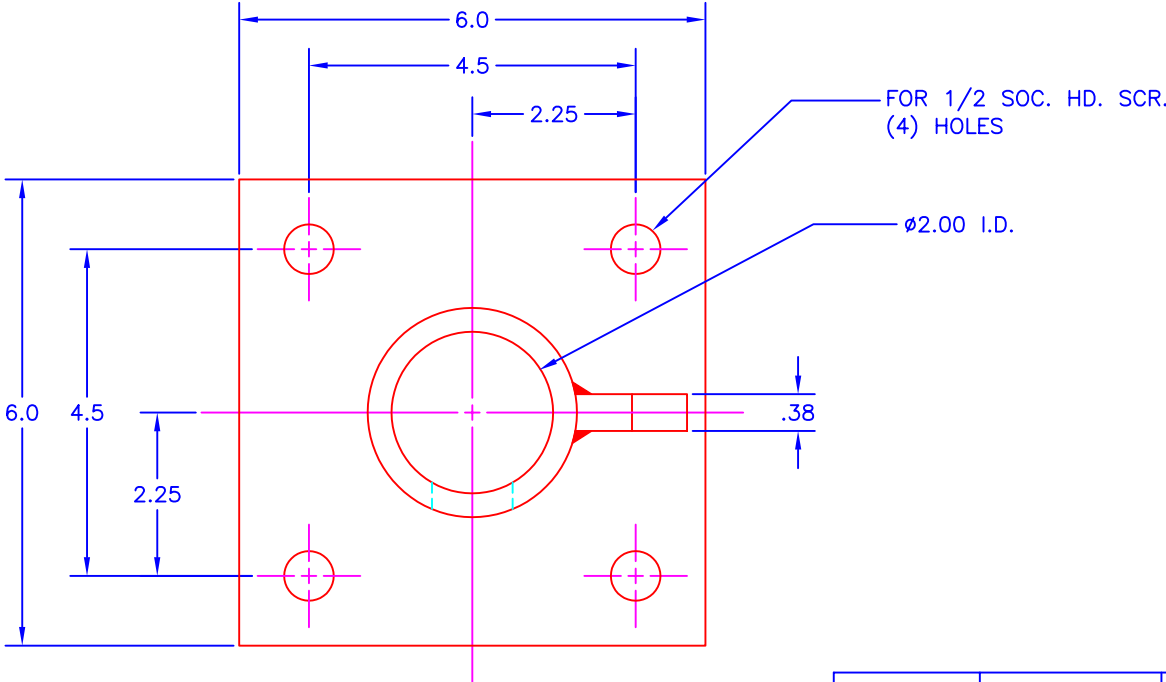


# LIFTER POST HOUSING

PRINTED COPY IS UNCONTROLLED



JOLICO NO.	REF. NO	A
J-53012	20-904-0012	12
J-53014	20-904-0014	14
J-53016	20-904-0016	16
J-53018	20-904-0018	18
J-53020	20-904-0020	20

