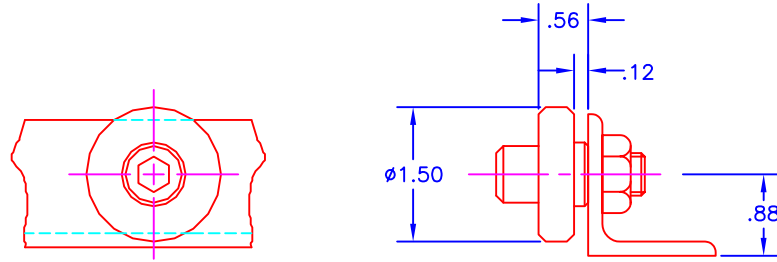


PRINTED COPY IS UNCONTROLLED

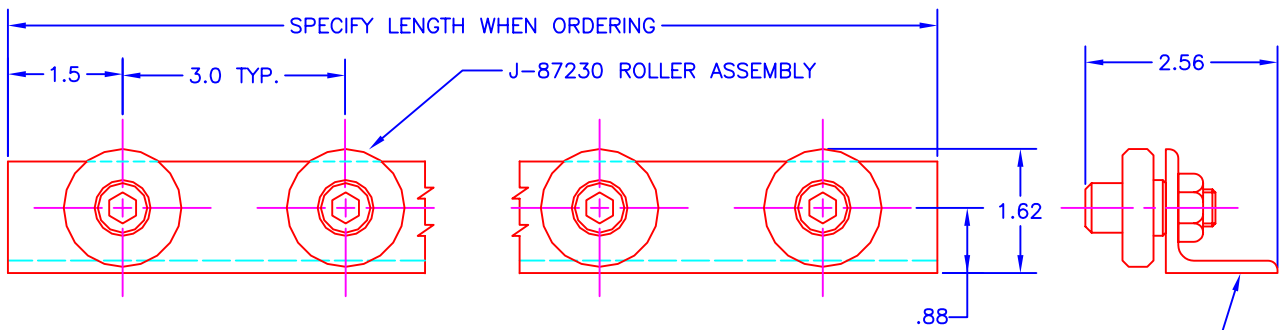
## ROLLER TYPE STOCK TRANSFER



NOTE: ASSEMBLY INCLUDES ROLLER, 1/2 SELF LOCKING SOC. HD. CAP SCR., AND SELF LOCKING HEX NUT.

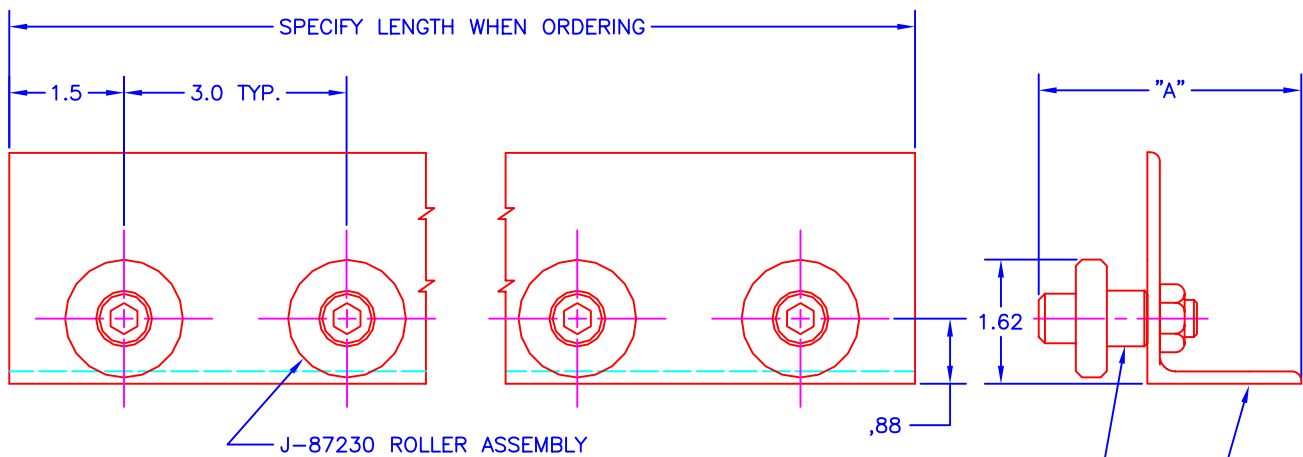
JOLICO NO.	REF. NO.
J-87230	DX18-28-0301

## AUTOMATION TRACKS



JOLICO NO.	REF. NO.
J-32235	DX18-28-0302

ANGLE IRON  
1-1/2" X 1-1/2" X 3/16"



JOLICO NO.	"A"
J-32245	3.06
J-32250	3.56

ORDERING EXAMPLE:  
J-32245 X 12.00

.50 LG. SPACER  
ONLY FOR J-32350

ANGLE IRON  
3" X 2" X 3/16"