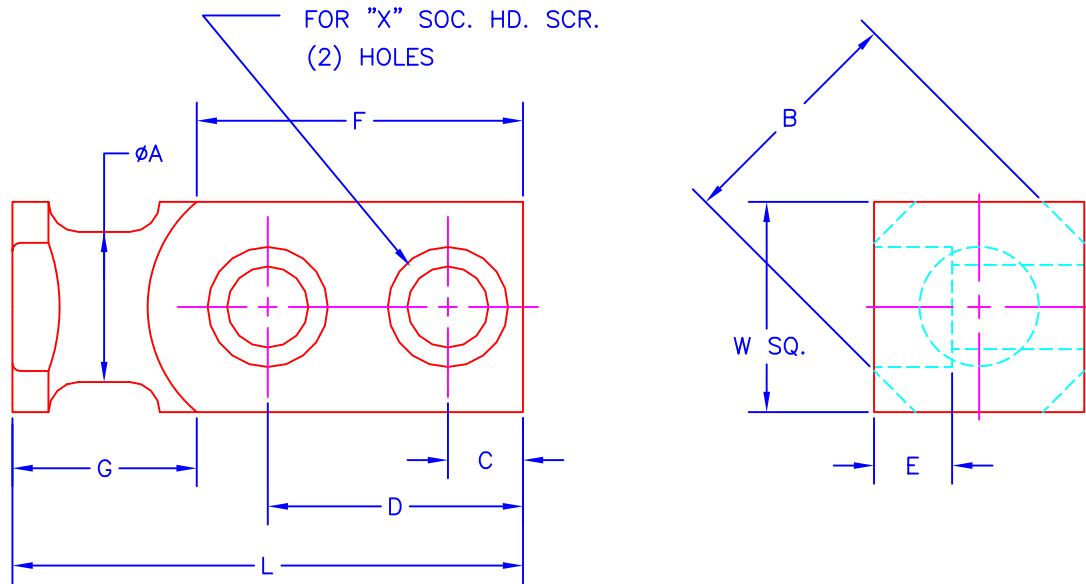


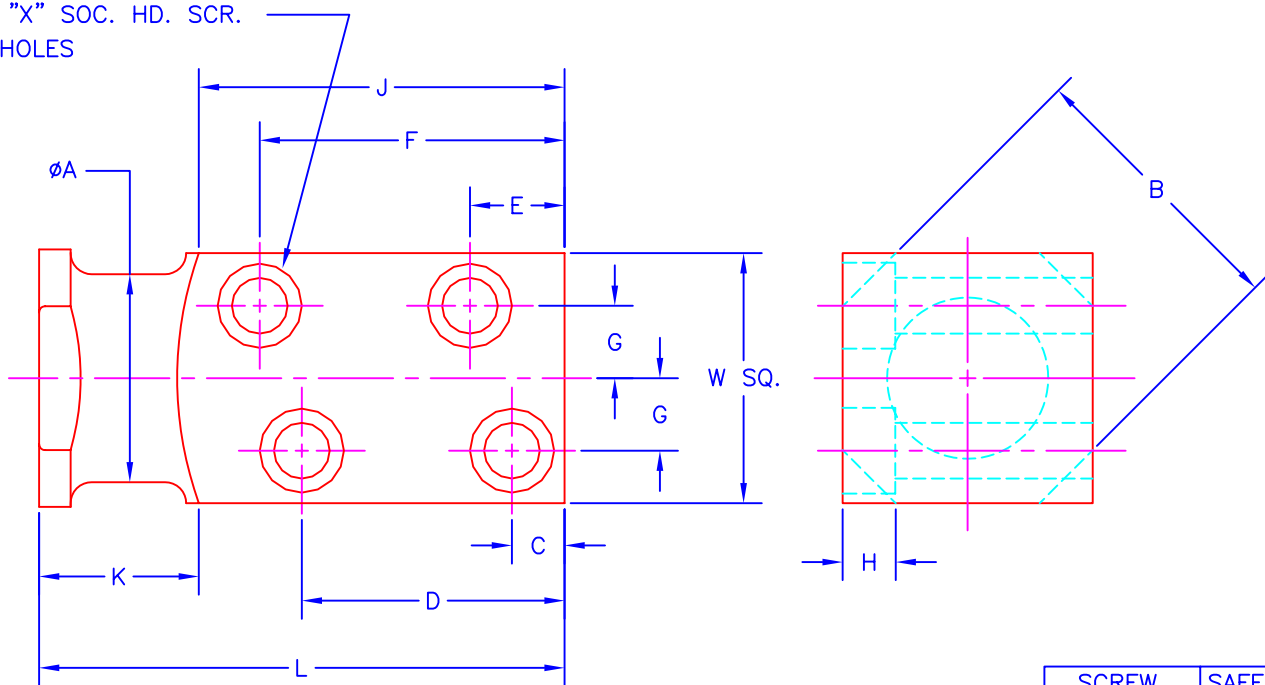
LIFT BOLLARDS

PRINTED COPY IS UNCONTROLLED



JOLICO NO.	REF. NO.	ϕA	B	C	D	E	F	G	L	W	SCREW SIZE "X"	SAFE WORK LOAD PER BOLLARD
J-81001	06308209	1.00	1.56	1.50	2.00	0.56	2.50	1.50	4.00	1.50	1/2 X 2	2,750 LBS.
J-81002	06308225	1.25	2.00	0.62	2.50	0.69	3.09	1.66	4.75	1.75	5/8 X 2	4,400 LBS.
J-81003	06308241	1.62	2.38	0.72	2.88	0.81	3.53	1.97	5.50	2.00	3/4 X 3	7,040 LBS.
J-81004	06308266	2.00	2.75	0.88	3.19	1.06	4.06	2.19	6.25	2.50	1 X 3-1/4	11,000 LBS.

FOR "X" SOC. HD. SCR.
(4) HOLES



JOLICO NO.	REF. NO.	ϕA	B	C	D	E	F	G	H	J	K	L	W	SCREW SIZE "X"	SAFE WORK LOAD PER BOLLARD
J-81005	06308282	3.00	3.75	0.75	3.81	1.56	4.62	0.88	0.81	5.44	2.44	7.88	3.50	3/4X4-1/2	17,600 LBS.
J-81006	06308308	3.12	4.31	1.00	4.88	1.75	5.62	1.00	1.06	6.69	3.06	9.75	4.00	1 X 5	27,500 LBS.
J-81007	06308324	4.00	5.25	1.19	6.00	2.00	6.88	1.25	1.31	8.06	3.69	11.75	5.00	1-1/4 X 6	44,000 LBS.