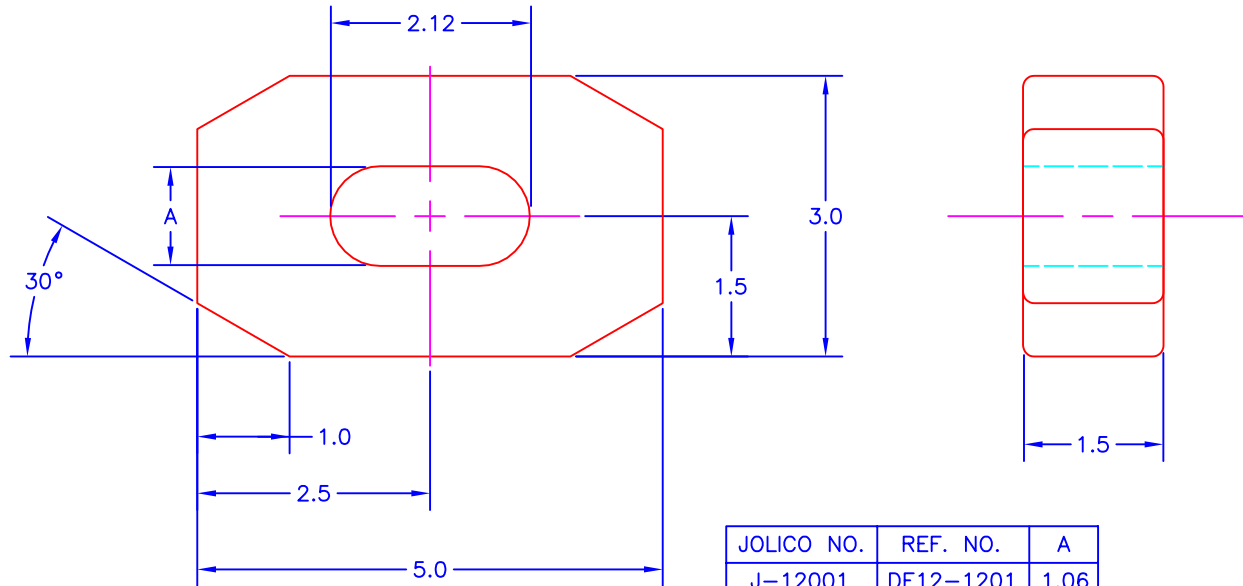


CLAMP BARS

PRINTED COPY IS UNCONTROLLED

CLAMP BARS ARE USED FOR DIE FASTENING TO PRESS.
THEY SPREAD OUT THE PRESSURE OVER A LARGER AREA THAN THE SPRING WASHER ALONE WOULD.

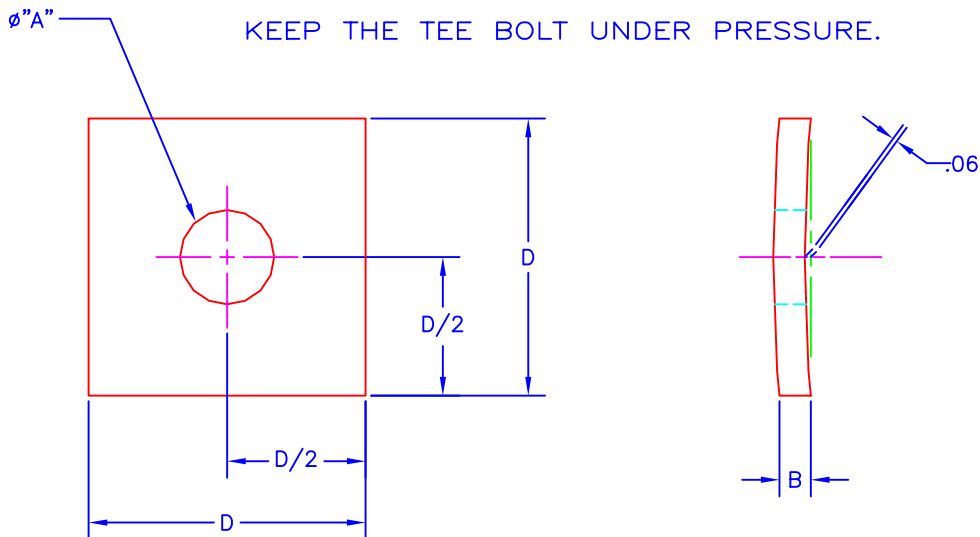


JOLICO NO.	REF. NO.	A
J-12001	DE12-1201	1.06
J-12002	DE12-1202	1.31

NOTE:
WILL QUOTE AND MANUFACTURE ANY SPECIALS UPON CUSTOMERS REQUEST.

SPRING WASHERS

THE SPRING WASHERS FUNCTION IS TO ALWAYS KEEP THE TEE BOLT UNDER PRESSURE.



JOLICO NO.	REF. NO.	A	B	D
J-12005	DE12-1205	.81	.25	2.00
J-12006	DE12-1206	1.06	.32	3.00
J-12007	DE12-1207	1.31	.32	3.00