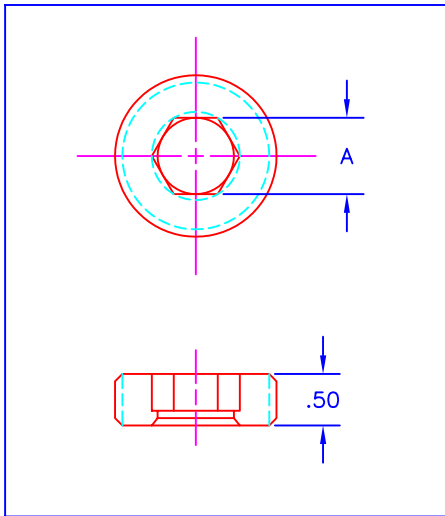


SPECIAL SOCKET HEAD SET SCREWS

PRINTED COPY IS UNCONTROLLED



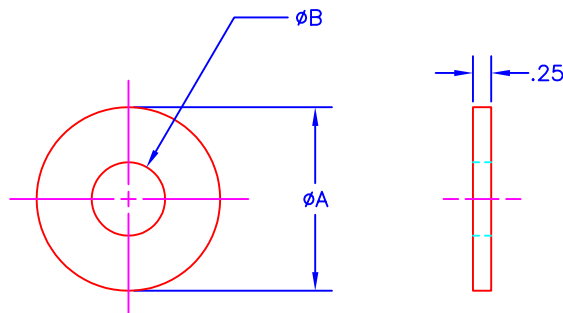
JOLICO NO.	SIZE	A	CAP SCREW
J-11070	5/8-18	.25	5/16
J-11071	3/4-16	.31	3/8
J-11072	1 1/8-12	.50	5/8
J-11073	7/8-14	.38	1/2
J-11074	1-14	.50	5/8
J-11075	1 1/4-12	.62	3/4
J-11076	1 1/2-12	.62	1.0
J-11077	1 3/4-12	.75	1.0

THESE SET SCREWS HAVE BEEN DESIGNED FOR THE PRIME USE OF LOCKING SOCKET HEAD CAP SCREWS. THEY ARE USED IN HIGH PRODUCTION AND COSTLY DIES TO LOCK THE INTERNAL CAP SCREWS IN PLACE, TO PREVENT THEM FROM WORKING LOOSE AND FALLING INTO THE WORKING AREA OF THE DIE, CAUSING SEVERE DAMAGE TO THE DIE.

THE SOCKET WRENCH OPENING IS THE SAME SIZE AS THE CAP SCREW OPENING, BUT DOES NOT EXTEND ALL THE WAY THROUGHOUT THE SCREW. THIS SAVES THE DIE MAKER TIME, AS HE DOES NOT HAVE TO CHANGE WRENCHES.

THEY MAY ALSO BE USED UNDER SPRINGS FOR THE EASY REMOVAL OF BROKEN SPRINGS.

SPECIAL WASHERS



JOLICO NO.	A	B
J-25485	3.00	1.50
J-25488	1.75	0.76
J-25489	2.00	1.01
J-25490	1.50	1.06