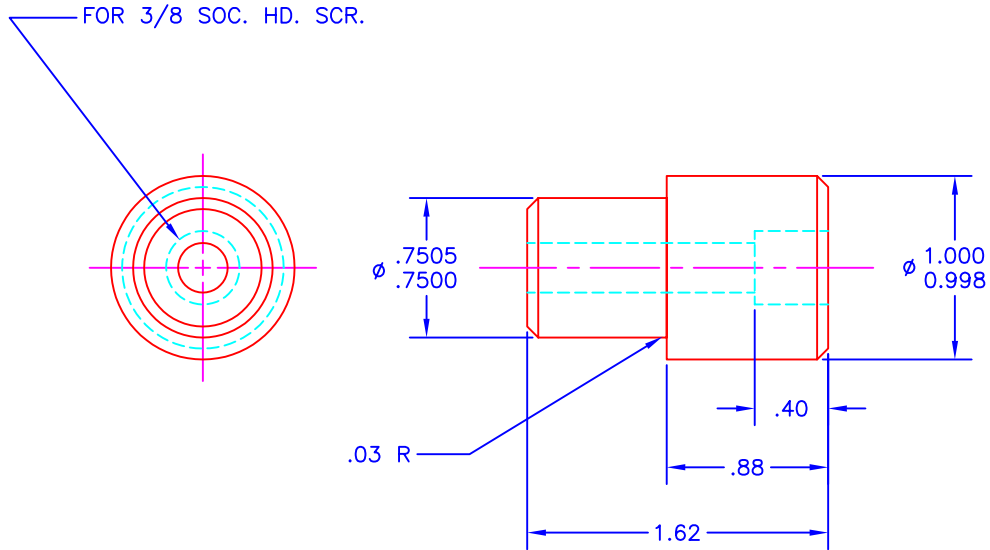
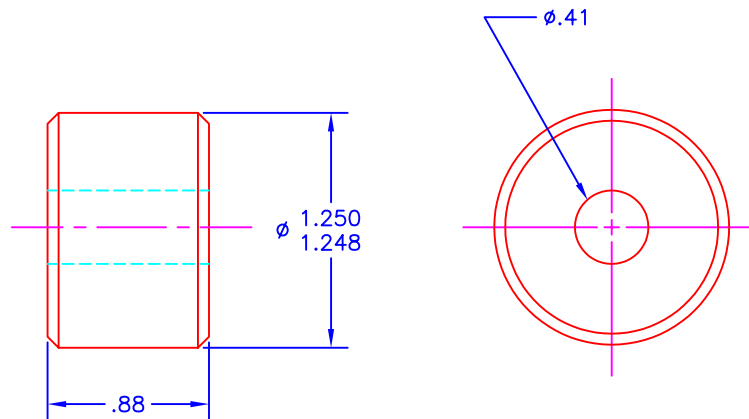


LOCATING PLUGS

LOCATING PLUGS ARE NORMALLY USED FOR LOCATING HARNESSSES ON DIES, BUT THEY CAN BE USED TO RELOCATE ANY DETAIL THAT IS PUT ON AND TAKEN OFF REPEATEDLY.



JOLICO NO.	REF. NO.
J-96300	DH10-0101



JOLICO NO.	REF. NO.
J-96299	DH10-0102