

JOLICO/J-B TOOL, INC.

GLOBAL SUPPLIER OF DIE & AUTOMATION COMPONENTS

4325 22 Mile Road, Utica, MI 48317-1507

Phone: 586.739.5555 Fax: 586.739.4840



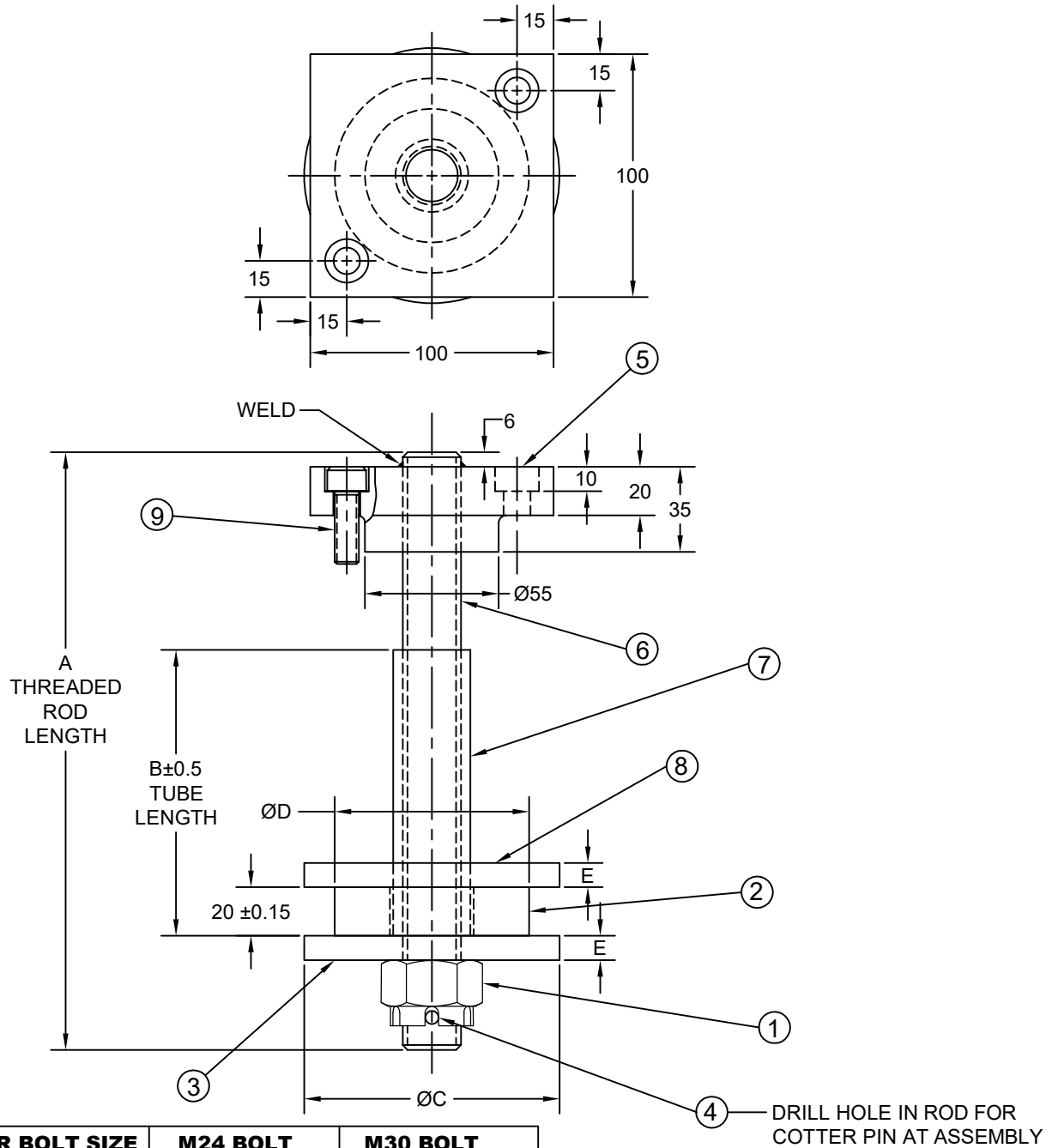
Tesla Metric Catalog

SERVING THE TOOL & DIE INDUSTRY SINCE 1956

JOLICO J-B TOOL

M24 AND M30 RETAINER BOLT

PRINTED COPY IS UNCONTROLLED



RETAINER BOLT SIZE	M24 BOLT	M30 BOLT
JOLICO NUMBER	J - 661875	J - 661876
PERMISSIBLE LOAD	750 kg	1250 kg

ITEM	PART NAME	M24 BOLT	M30 BOLT
1	HEXAGON CASTLE NUT	M24	M30
2	POLYURETHANE BUFFER	J - 661826	J - 661827
3	WASHER BUFFER RET.	J - 661830	J - 661831
4	COTTER PIN	Ø5 X 50 LG.	Ø6 X 60 LG.
5	RETAINER BLOCK BODY	J - 661875 - 5	J - 661876 - 5
6	THREAD ROD	J - 661875 - 6	J - 661876 - 6
7	STEEL TUBING	J - 661875 - 7	J - 661876 - 7
8	BUFFER RETAINER	J - 661875 - 8	J - 661876 - 8
9	SOC. HD. CAP SCREW	M10 X 30 LG.	M10 X 30 LG.

SIZE	ØC	ØD	E
M24	105	80	10
M30	130	100	12

ORDERING EXAMPLE:

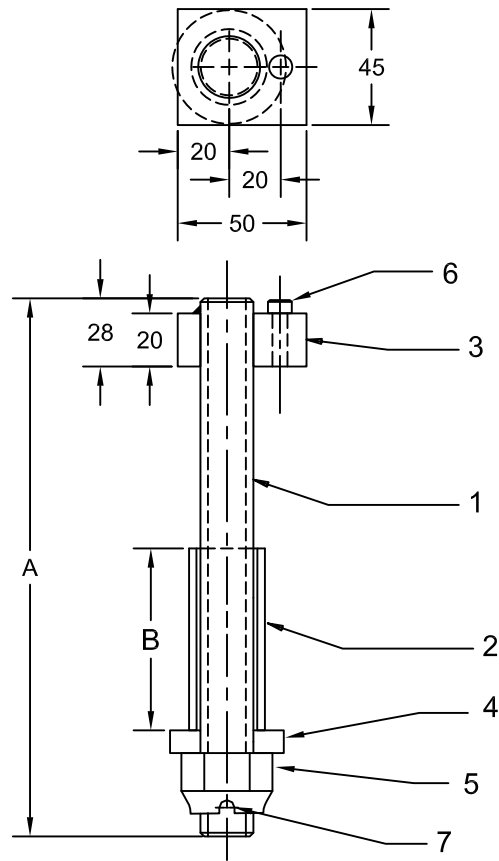
J - 661875 A 290 B 170

TUBE LENGTH
 BOLT LENGTH
 BOLT ASSEMBLY WITH M24 THREADS

JOLICO J-B TOOL

PRINTED COPY IS
UNCONTROLLED

TESLA SAFETY BOLT ASSEMBLY M24 ROD



SAFETY BOLT SIZE		M24 BOLT
JOLICO NUMBER		J - 661877
PERMISSIBLE LOAD		1875 Kg
ITEM	PART NAME	
1	THREADED ROD	M24 X A
2	TUBING	Ø31.75 X 3.4 X B
3	RETAINER BLOCK	J - 661834
4	FLAT WASHER 50 OD x 25 ID x 10 THICK	J - 661878
5	HEXAGON CASTLE NUT	M24
6	SOC. HD. CAP SCREW	M8 X 35 LG.
7	SPLIT PIN	Ø5 X 50 LG.

ORDERING EXAMPLE:

J - 661877 A 290 B 170
 ↑ ↑ ↑
 BOLT ASSEMBLY WITH M24 THREADS BOLT LENGTH TUBE LENGTH

