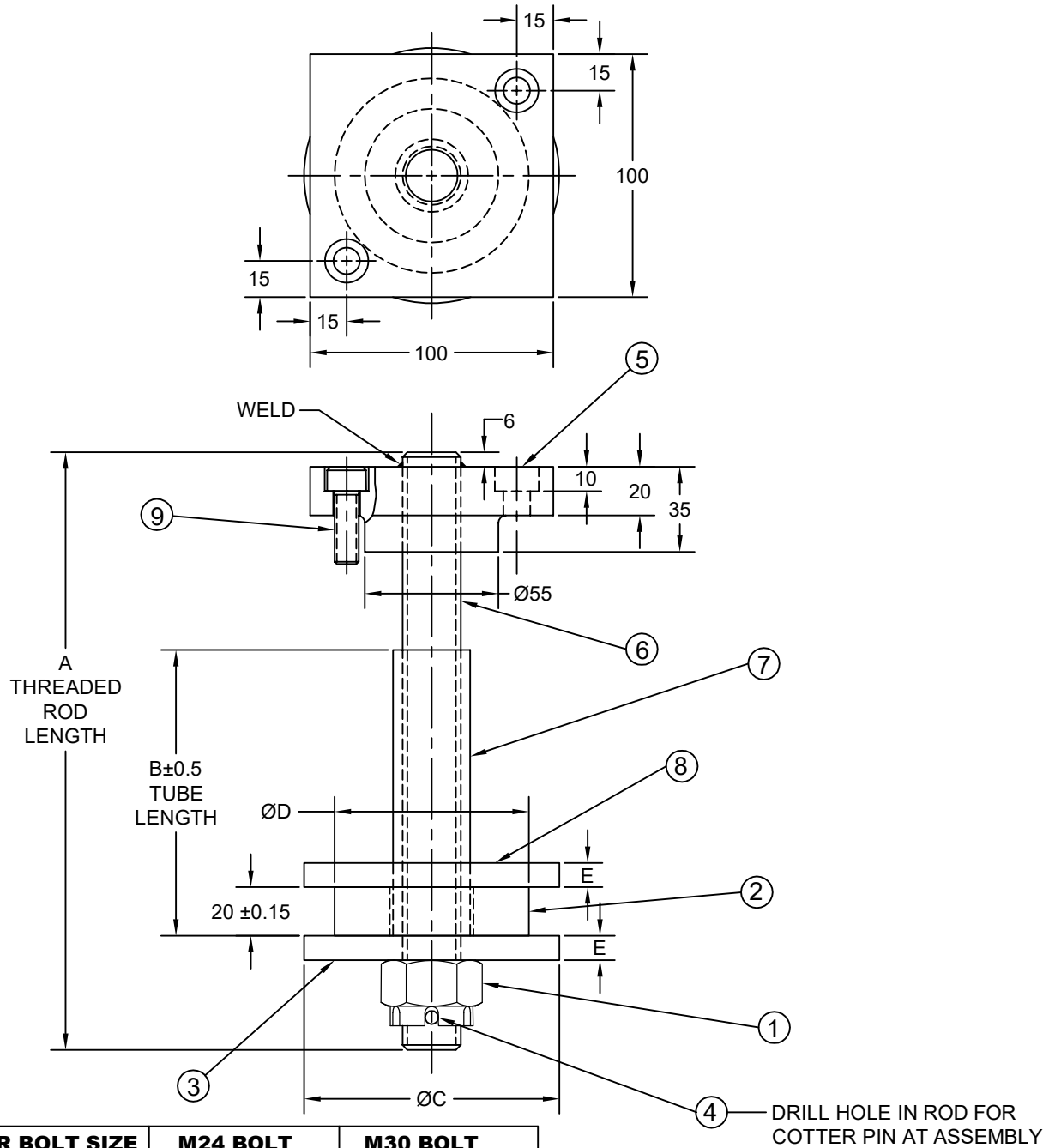


JOLICO J-B TOOL

M24 AND M30 RETAINER BOLT

PRINTED COPY IS UNCONTROLLED



RETAINER BOLT SIZE	M24 BOLT	M30 BOLT
JOLICO NUMBER	J - 661875	J - 661876
PERMISSIBLE LOAD	750 kg	1250 kg

ITEM	PART NAME	M24 BOLT	M30 BOLT
1	HEXAGON CASTLE NUT	M24	M30
2	POLYURETHANE BUFFER	J - 661826	J - 661827
3	WASHER BUFFER RET.	J - 661830	J - 661831
4	COTTER PIN	Ø5 X 50 LG.	Ø6 X 60 LG.
5	RETAINER BLOCK BODY	J - 661875 - 5	J - 661876 - 5
6	THREAD ROD	J - 661875 - 6	J - 661876 - 6
7	STEEL TUBING	J - 661875 - 7	J - 661876 - 7
8	BUFFER RETAINER	J - 661875 - 8	J - 661876 - 8
9	SOC. HD. CAP SCREW	M10 X 30 LG.	M10 X 30 LG.

SIZE	ØC	ØD	E
M24	105	80	10
M30	130	100	12

ORDERING EXAMPLE:

J - 661875 A 290 B 170

↑ TUBE LENGTH
 ↑ BOLT LENGTH
 ↑ BOLT ASSEMBLY WITH M24 THREADS