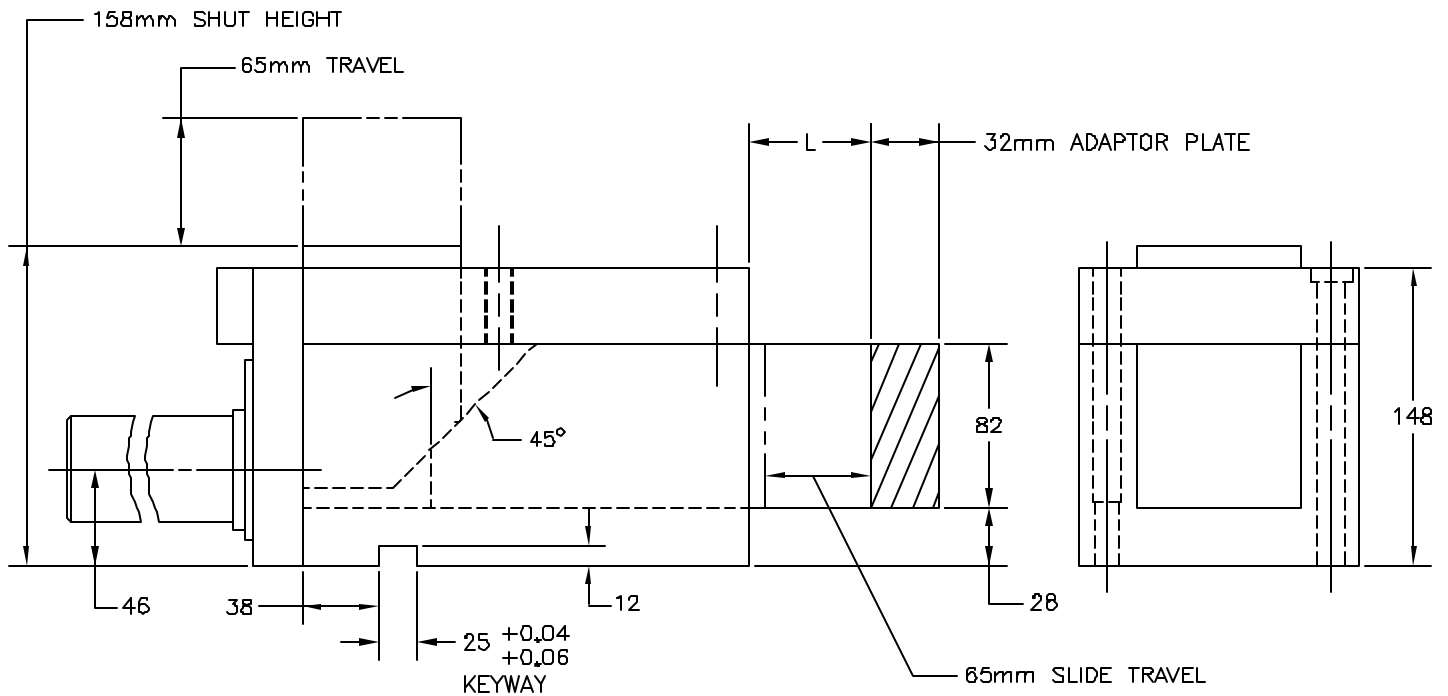
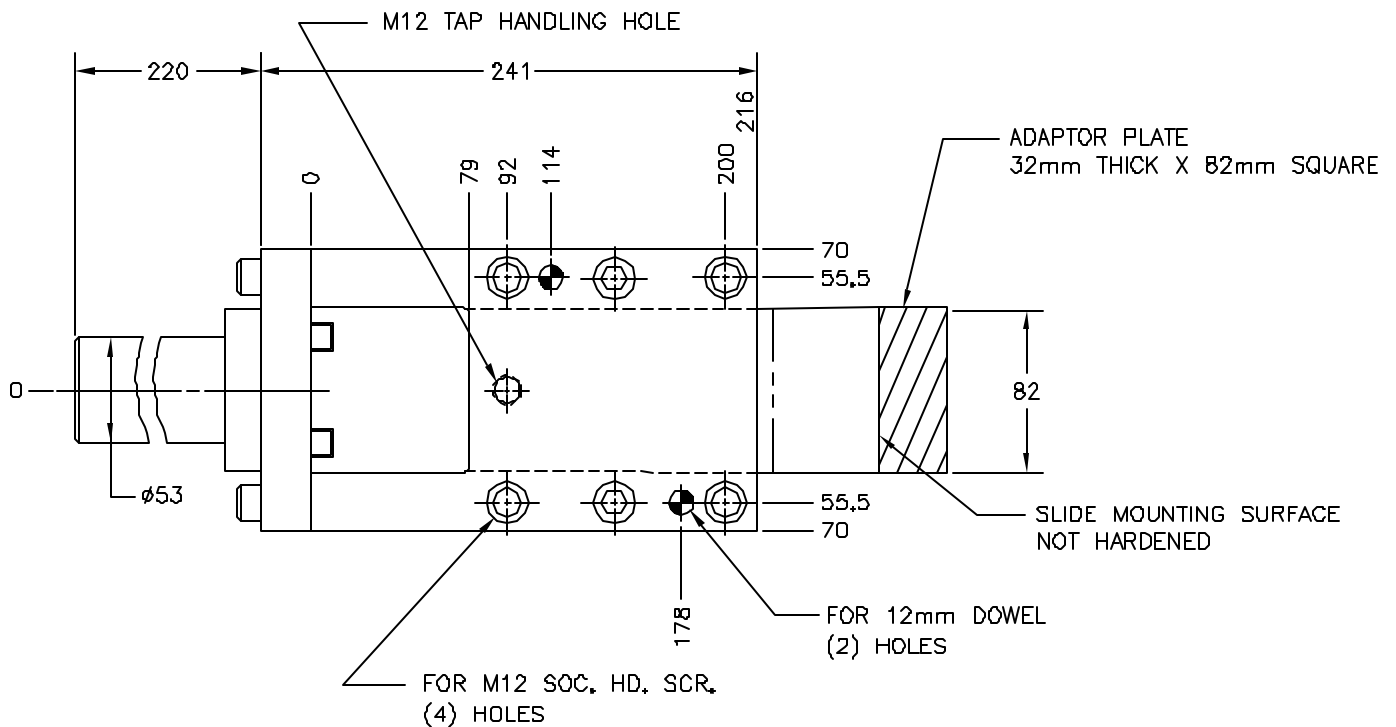


BOX CAM SLIDE UNIT

PRINTED COPY IS UNCONTROLLED



● MAX. TONNAGE 25 TONS.

CAM UNIT IS SUPPLIED WITH:

- (4) M12 X 150mm LG, SOC, HD, SCR,
- (2) ø12 X 50mm LONG PULL DOWEL
- (1) 25 X 25 X 100mm LONG KEY
- (1) 32mm THICK X 82mm SQUARE ADAPTOR PLATE

JOLICO NO.	CC REF., NO.,	L
J-669804	19-202-1115	42
J-669804-L	19-202-1116	72

NOTE:
FOR CAM SLIDE UNIT WITHOUT THE
ADAPTOR PLATE ADD THE SUFFIX (N)
TO THE END OF THE ORDERING NUMBER.