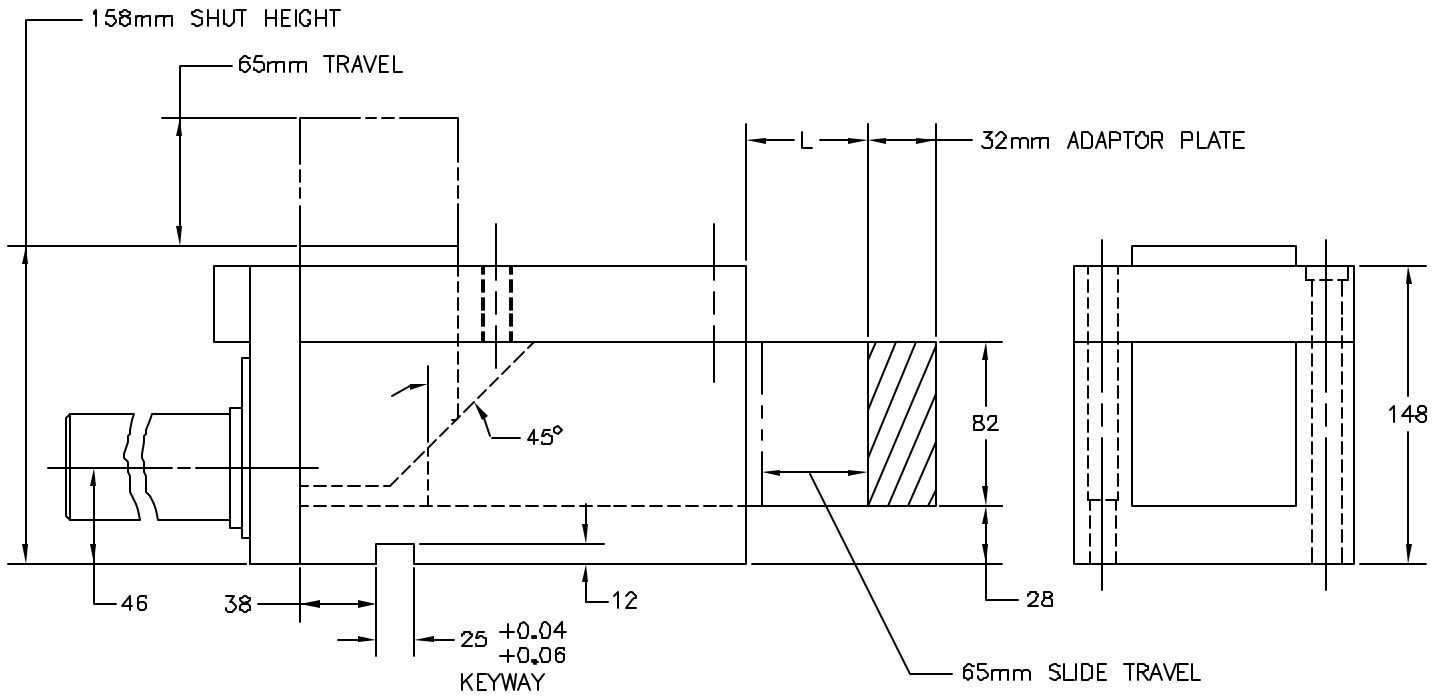
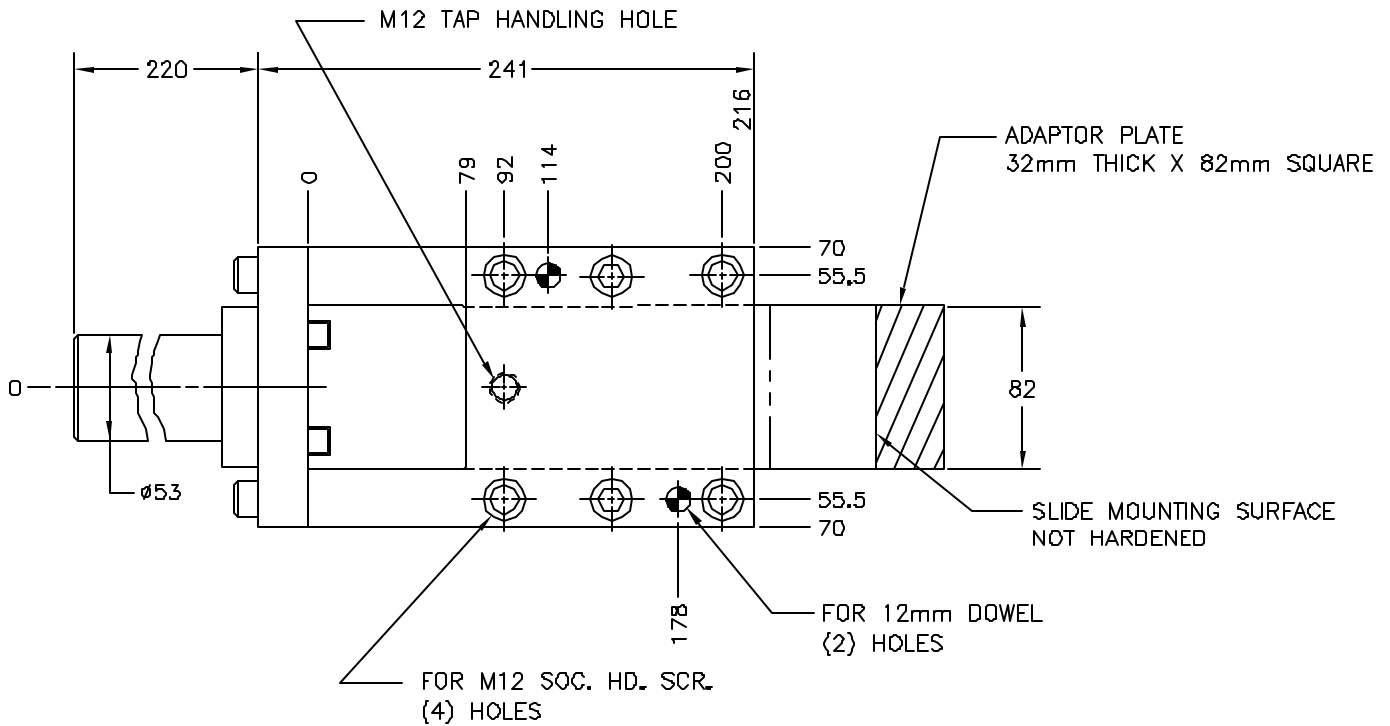


PRINTED COPY IS UNCONTROLLED

SELF LUBE BOX CAM SLIDE UNIT



● MAX. TONNAGE 25 TONS.

- SELF LUBE CAM UNIT IS SUPPLIED WITH:
- (4) M12 X 150mm LG. SOC. HD. SCR.
 - (2) Ø12 X 50mm LONG PULL DOWEL
 - (1) 25 X 25 X 100mm LONG KEY
 - (1) 32mm THICK X 82mm SQUARE ADAPTOR PLATE

JOLICO NO.	FORD REF. NO.	L
J-669804	WDX7-80-6301	42
J-669804-L	WDX7-80-6302	72

NOTE:
FOR CAM SLIDE UNIT WITHOUT THE ADAPTOR PLATE ADD THE SUFFIX (N) TO THE END OF THE ORDERING NUMBER.