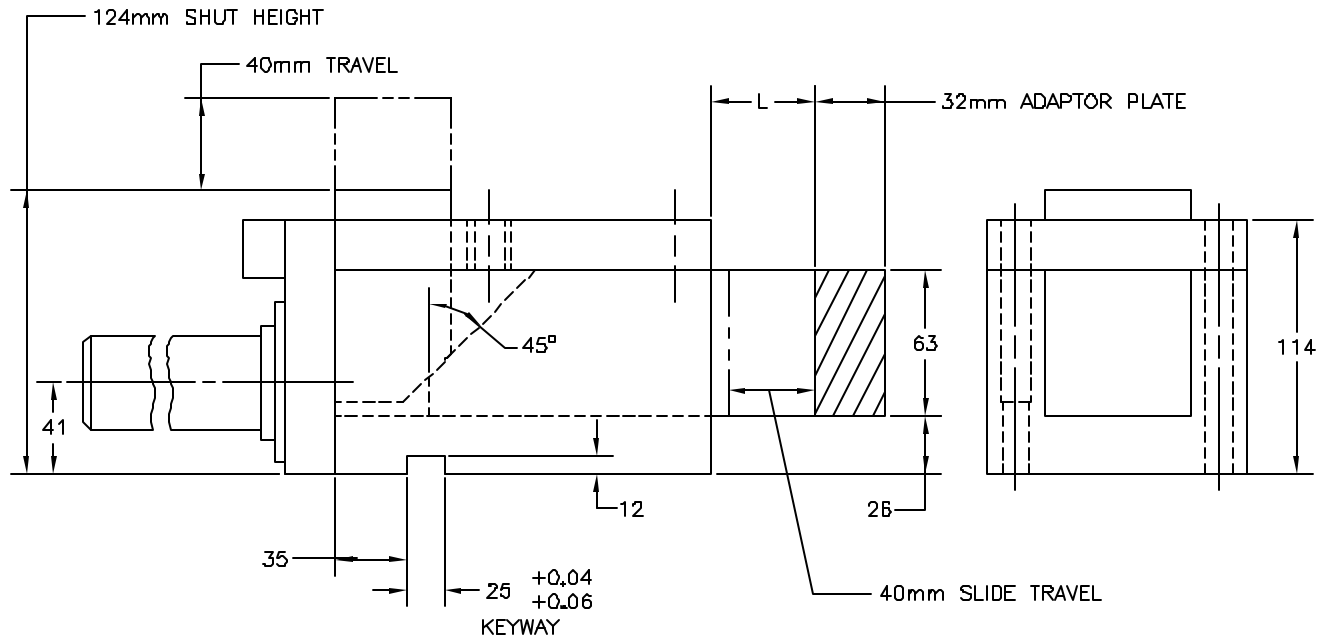
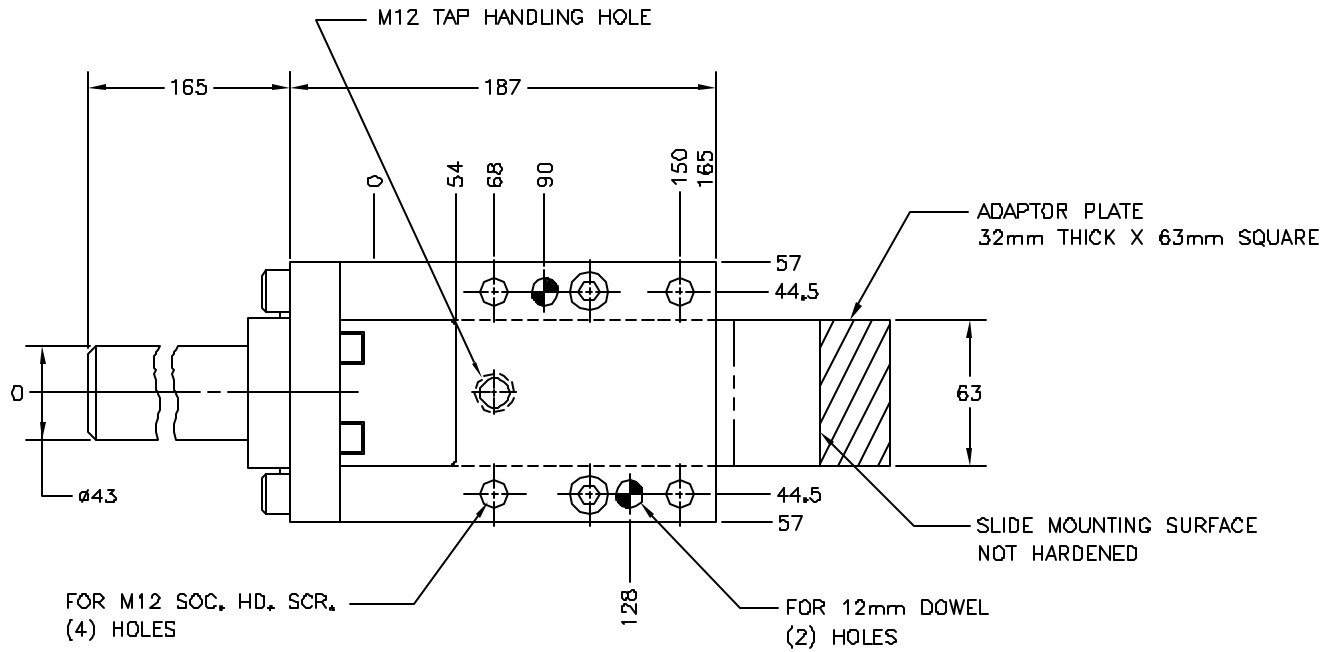


SELF LUBE BOX CAM SLIDE UNIT



● MAX. TONNAGE 25 TONS.

- SELF LUBE CAM UNIT IS SUPPLIED WITH:
- (4) M12 X 130mm LG. SOC. HD. SCR.
 - (2) $\phi 12$ X 50mm LONG PULL DOWEL
 - (1) 25 X 25 X 75mm LONG KEY
 - (1) 32mm THICK X 63mm SQUARE ADAPTOR PLATE

JOLICO NO.	FORD REF. NO.	L
J-669802	WDX7-80-6201	28
J-669802-L	WDX7-80-6202	48

NOTE:
FOR CAM SLIDE UNIT WITHOUT THE ADAPTOR PLATE ADD THE SUFFIX (N) TO THE END OF THE ORDERING NUMBER.