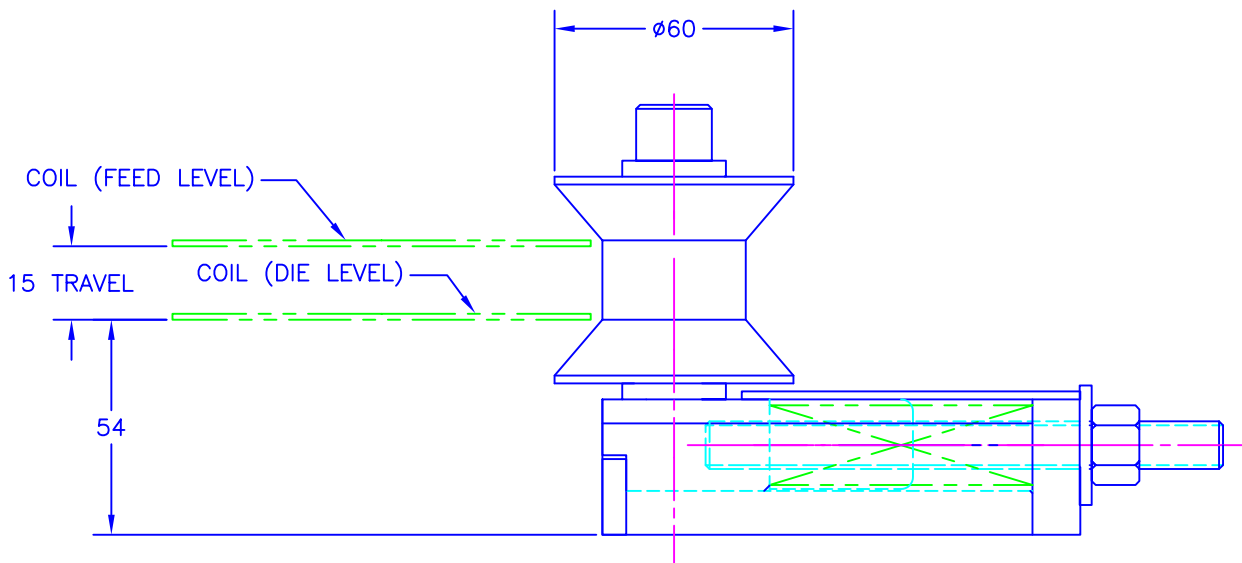
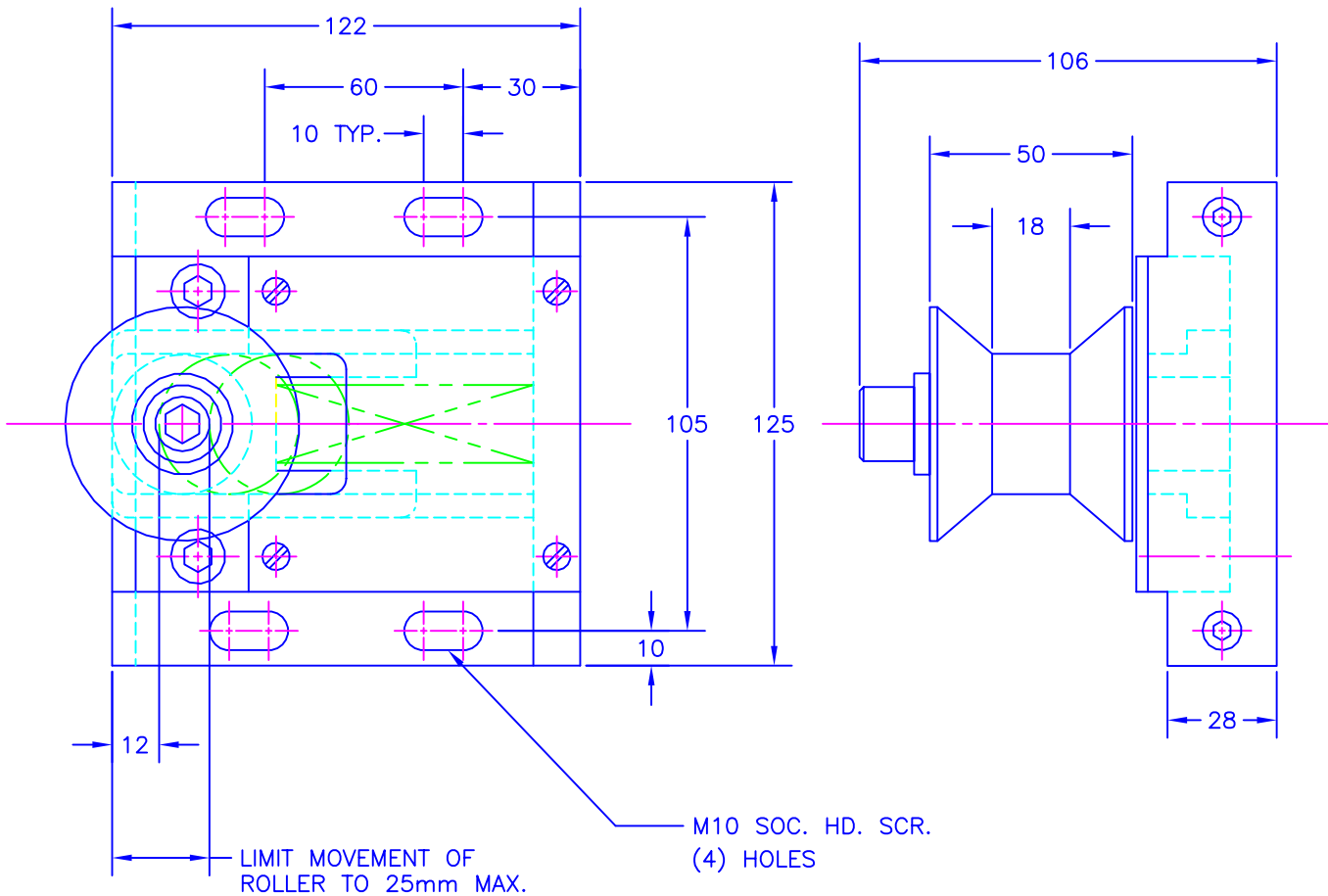


ADJUSTABLE SPRING LOADED STOCK ROLLER

PRINTED COPY IS
UNCONTROLLED



JOLICO NO.	GMGDS REF. NUMBER
J-886114	90.45.12