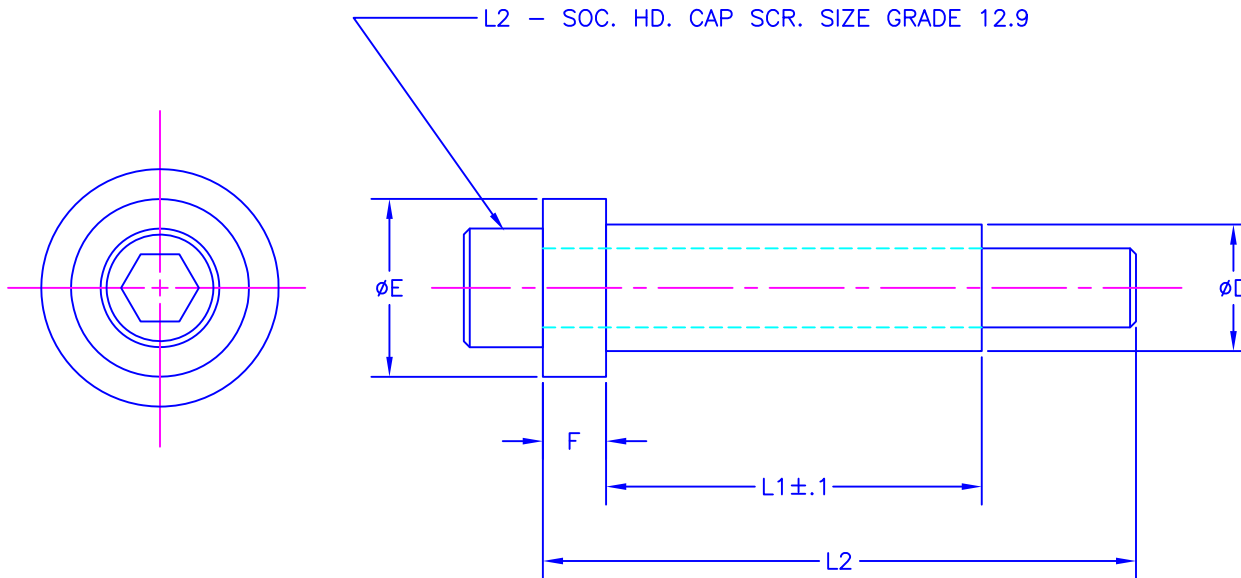


PAD RETAINING SCREW

PRINTED COPY IS UNCONTROLLED



JOLICO NO.	GMGDS REF. NO.	L1	L2	D	E	F
J-662100	90.30.55-9525	95	M16 X 140	25	36	13
J-662101	90.30.55-9532	95	M20 X 150	32	45	16
J-662102	90.30.55-10525	105	M16 X 150	25	36	13
J-662103	90.30.55-10532	105	M20 X 160	32	45	16
J-662104	90.30.55-11525	115	M16 X 160	25	36	13
J-662105	90.30.55-12532	125	M20 X 180	32	45	16
J-662106	90.30.55-13525	135	M16 X 180	25	36	13
J-662107	90.30.55-14532	145	M20 X 200	32	45	16
J-662108	90.30.55-15525	155	M16 X 200	25	36	13
J-662109	90.30.55-16532	165	M20 X 220	32	45	16
J-662110	90.30.55-17525	175	M16 X 220	25	36	13
J-662111	90.30.55-18532	185	M20 X 240	32	45	16
J-662112	90.30.55-19525	195	M16 X 240	25	36	13
J-662113	90.30.55-20532	205	M20 X 260	32	45	16
J-662114	90.30.55-21525	215	M16 X 260	25	36	13
J-662115	90.30.55-22532	225	M20 X 280	32	45	16
J-662116	90.30.55-23525	235	M16 X 280	25	36	13
J-662117	90.30.55-24532	245	M20 X 300	32	45	16
J-662118	90.30.55-25525	255	M16 X 300	25	36	13